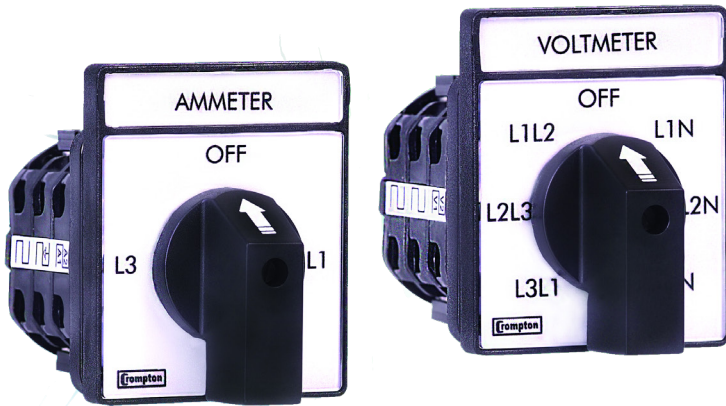


# CROMPTON INSTRUMENTS INSTRUMENT SELECTOR SWITCHES



## APPLICATIONS

- Ammeter Switches
- Voltmeter Switches

## RELEVANT STANDARDS AND TEST REPORTS

- IEC EN 60947-3
- VDE 0660 part 107

## PANEL MOUNTED SELECTOR SWITCHES

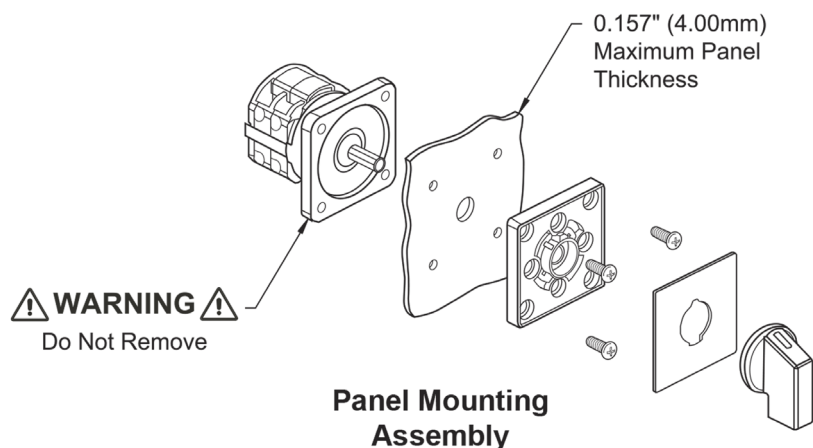
### KEY FEATURES

- Compact size
- Reliable design
- Multi pole

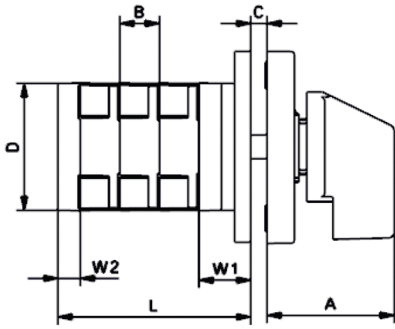
TE's Crompton Instruments Panel Mounted Selector Switches are available as a 4 and 7 position Voltmeter switch, or as a 4 and 5 position Ammeter switch.

A reliable switch that is easy to use, can be used along side the TE's Crompton Instruments Standard Analogue and Voltmeters range.

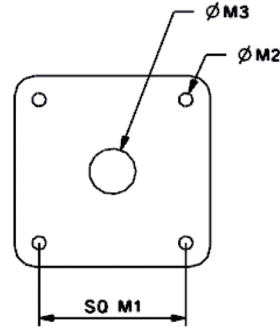
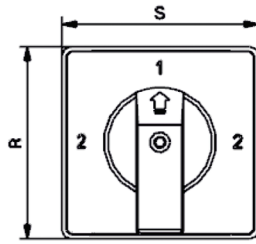
Each switch is supplied with numbered annotation (L1, L2, L3) as standard, or coloured annotation is available (RYB) on request.



## DIMENSIONAL INFORMATION



Length (L) = No. of Stages of Prog x B + W1 + W2



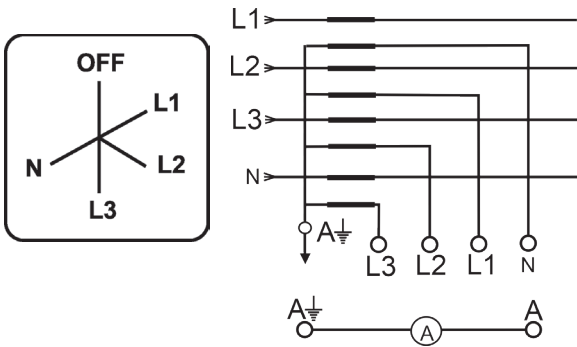
Drilling Plane

Type	A	B	C (max)	D	M1	M2	M3	R	S	W1	W2
6A	29 (1.14")	9.7 (0.382")	4 (0.157")	32 (1.26")	36 (1.417")	4 (0.157")	8 (0.315")	48 (1.89")	48 (1.89")	13 (0.512")	7 (0.276")
10A	29 (1.14")	9.5 (0.374")	4 (0.157")	43 (1.693")	36 (1.417")	4 (0.157")	7 (0.276")	60 (2.362")	48 (1.89")	19 (0.748")	5 (0.197")
16A	29 (1.14")	9.5 (0.374")	4 (0.157")	43 (1.693")	36 (1.417")	4 (0.157")	7 (0.276")	60 (2.362")	48 (1.89")	19 (0.748")	5 (0.197")

### DESCRIPTION

### CURRENT RATING

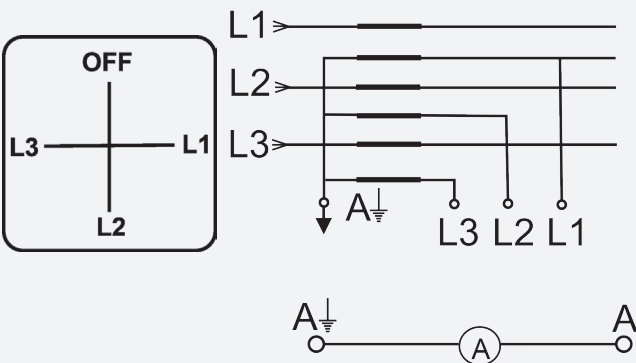
**Ammeter Selector Switch 5 Position**  
Line Current with OFF with Neutral



6A	10A	16A
SWA-5P-6A	SWA-5P-10A	SWA-5P-16A

OUTPUT SIDE	A1	A2				
	INPUT SIDE	L1	L2	L3	N	
	OFF					
	L1	X		X	X	X
	L2		X	X	X	X
L3		X	X	X	X	
N	X	X	X	X	X	

**Ammeter Selector Switch 4 Position**  
Line Current with OFF



SWA-4P-6A	SWA-4P-10A	SWA-4P-16A

OUTPUT SIDE	A2	A1			
	INPUT SIDE	L1	L2	L3	
	OFF	X	X	X	
	L1		X	X	X
	L2	X			X
L3	X	X		X	

DESCRIPTION	CURRENT RATING																																																														
	6A	10A	16A																																																												
<b>Voltmeter Selector Switch 4 Position</b> <b>Voltage between Phases with OFF</b>	SWV-4P-6A-LL	SWV-4P-10A-LL	SWV-4P-16A-LL																																																												
	<table border="1"> <thead> <tr> <th>OUTPUT SIDE</th> <th>V2</th> <th>V1</th> <th></th> <th></th> <th></th> </tr> </thead> <tbody> <tr> <td></td> <td></td> <td></td> <td></td> <td></td> <td></td> </tr> <tr> <th>INPUT SIDE</th> <th>L1</th> <th>L2</th> <th>L3</th> <th></th> <th></th> </tr> <tr> <td>OFF</td> <td></td> <td></td> <td></td> <td></td> <td></td> </tr> <tr> <td>L1L2</td> <td>X</td> <td></td> <td>X</td> <td></td> <td></td> </tr> <tr> <td>L2L3</td> <td></td> <td>X</td> <td></td> <td>X</td> <td></td> </tr> <tr> <td>L3L1</td> <td></td> <td>X</td> <td></td> <td>X</td> <td></td> </tr> </tbody> </table>			OUTPUT SIDE	V2	V1										INPUT SIDE	L1	L2	L3			OFF						L1L2	X		X			L2L3		X		X		L3L1		X		X																			
OUTPUT SIDE	V2	V1																																																													
INPUT SIDE	L1	L2	L3																																																												
OFF																																																															
L1L2	X		X																																																												
L2L3		X		X																																																											
L3L1		X		X																																																											
<b>Voltmeter Selector Switch 7 Position</b> <b>Voltage between Phases &amp; Individual Phase to Neutral with OFF</b>	SWV-7P-6A	SWV-7P-10A	SWV-7P-16A																																																												
	<table border="1"> <thead> <tr> <th>OUTPUT SIDE</th> <th>V2</th> <th>V1</th> <th></th> <th></th> <th></th> </tr> </thead> <tbody> <tr> <td></td> <td></td> <td></td> <td></td> <td></td> <td></td> </tr> <tr> <th>INPUT SIDE</th> <th>L3</th> <th>L2</th> <th>L1</th> <th>N</th> <th></th> </tr> <tr> <td>L3L1</td> <td></td> <td>X</td> <td></td> <td>X</td> <td></td> </tr> <tr> <td>L2L2</td> <td></td> <td>X</td> <td>X</td> <td></td> <td></td> </tr> <tr> <td>L1L2</td> <td></td> <td></td> <td>X</td> <td>X</td> <td></td> </tr> <tr> <td>OFF</td> <td></td> <td></td> <td></td> <td></td> <td></td> </tr> <tr> <td>L1N</td> <td></td> <td></td> <td></td> <td>X</td> <td>X</td> </tr> <tr> <td>L2N</td> <td></td> <td></td> <td>X</td> <td></td> <td>X</td> </tr> <tr> <td>L3N</td> <td>X</td> <td></td> <td></td> <td></td> <td>X</td> </tr> </tbody> </table>			OUTPUT SIDE	V2	V1										INPUT SIDE	L3	L2	L1	N		L3L1		X		X		L2L2		X	X			L1L2			X	X		OFF						L1N				X	X	L2N			X		X	L3N	X				X
OUTPUT SIDE	V2	V1																																																													
INPUT SIDE	L3	L2	L1	N																																																											
L3L1		X		X																																																											
L2L2		X	X																																																												
L1L2			X	X																																																											
OFF																																																															
L1N				X	X																																																										
L2N			X		X																																																										
L3N	X				X																																																										
<b>Voltmeter Selector Switch 4 Position</b> <b>Phase to Neutral Voltages with OFF</b>	SWV-4P-6A-LN	SWV-4P-10A-LN	SWV-4P-16A-LN																																																												
	<table border="1"> <thead> <tr> <th>OUTPUT SIDE</th> <th>V1</th> <th>V2</th> <th></th> <th></th> <th></th> </tr> </thead> <tbody> <tr> <td></td> <td></td> <td></td> <td></td> <td></td> <td></td> </tr> <tr> <th>INPUT SIDE</th> <th>N</th> <th>L1</th> <th>N</th> <th>L2</th> <th>N</th> </tr> <tr> <td>OFF</td> <td></td> <td></td> <td></td> <td></td> <td></td> </tr> <tr> <td>L1L2</td> <td>X</td> <td>X</td> <td></td> <td></td> <td></td> </tr> <tr> <td>L2L3</td> <td></td> <td></td> <td>X</td> <td>X</td> <td></td> </tr> <tr> <td>L3L1</td> <td></td> <td></td> <td></td> <td></td> <td>X</td> </tr> </tbody> </table>			OUTPUT SIDE	V1	V2										INPUT SIDE	N	L1	N	L2	N	OFF						L1L2	X	X				L2L3			X	X		L3L1					X																		
OUTPUT SIDE	V1	V2																																																													
INPUT SIDE	N	L1	N	L2	N																																																										
OFF																																																															
L1L2	X	X																																																													
L2L3			X	X																																																											
L3L1					X																																																										

Parameters		Unit	6A	10A	16A
Rated operational voltage (Ue)		V	440	440	690
Rated Insulation voltage (Ui)		V	440	440	690
Rated operational current (Ie)		A	6	10	16
Conventional free air thermal current (Ith)		A	6	10	16
Rated short time withstand current (Icw)	(1s- Current)	A	72	120	192*
Rated Impulse withstand voltage (Uimp)		KV	4	4	4
Rated Fuse short circuit current		KA	3	3	5
Fuse size (Type gG /gM)		A	6	10	16
AC23A 3phase	220-240V	KW	1.1	1.8	3
	380-440V	KW	1.8	3	5.5
	500V	KW	-	-	5.5
	660-690V	KW	-	-	5.5
AC23A 1phase	110V	KW	0.25	0.37	0.55
	220-240V	KW	0.5	0.75	1.5
	380-440V	KW	0.75	1.1	2.2
AC3 3phase	220-240V	KW	1.1	1.5	3
	380-440V	KW	1.8	2.2	5.5
	500V	KW	-	-	5.5
	600-690V	KW	-	-	5.5
AC3 1phase	110V	KW	0.25	0.3	0.55
	220-240V	KW	0.5	0.55	1.5
	380-440V	KW	0.75	0.75	2.5
AC21A/AC1		A	6	10	16
AC15	220-240V	A	2	2.5	5
	380-440V	A	1	1.5	4

\* Rated short time withstand current (0.5s- current)

Terminal cross -section					
Single / Multiple(Prepared with lug)	Min	mm2	1	0.7	1.5
	Max	mm2	1.5	1.5	4
Fine strand with sleeve(Prepared with lug)	Min	mm2	1	0.7	1
	Max	mm2	1.5	1.5	2.5
Terminal screw		Metric	M3	M3	M3
Terminal tightening torque		Nm	0.8	0.8	0.8

Operating Conditions	
Frequency	50/60Hz
Operating Temperature	-25 C to 60 C
Over Voltage Category	III
Storage	-40 C to 80 C
Max Altitude	2000m
IP Rating	IP50

**FOR MORE INFORMATION:**

TE Technical Support Centres

Learn more: [TE.com/energy](https://www.te.com/energy)

© 2024 TE Connectivity. All Rights Reserved.

TE, TE Connectivity, TE connectivity (logo), EVERY CONNECTION COUNTS, are trademarks owned or licensed by TE Connectivity. Other logos, product and company names mentioned herein may be trademarks of their respective owners. While TE has made every reasonable effort to ensure the accuracy of the information in this brochure, TE does not guarantee that it is error-free, nor does TE make any other representation, warranty or guarantee that the information is accurate, correct, reliable or current. TE reserves the right to make any adjustments to the information contained herein at any time without notice. TE Connectivity's obligations shall only be as set forth in TE Connectivity's Standard Terms and Conditions of Sale for this product and in no case will TE Connectivity be liable for any incidental, indirect or consequential damages arising out of the sale, resale, use or misuse of the product. TE expressly disclaims all implied warranties regarding the information contained herein, including, but not limited to, any implied warranties of merchantability or fitness for a particular purpose. The dimensions, specifications, and/or information contained herein are for reference purposes only and are subject to change without notice. Consult TE for the latest dimensions, specifications, and/or information. Users of TE Connectivity products should make their own evaluation to determine the suitability of each such product for the specific application.

Connect with us:  
[TE.com/energy](https://www.te.com/energy)