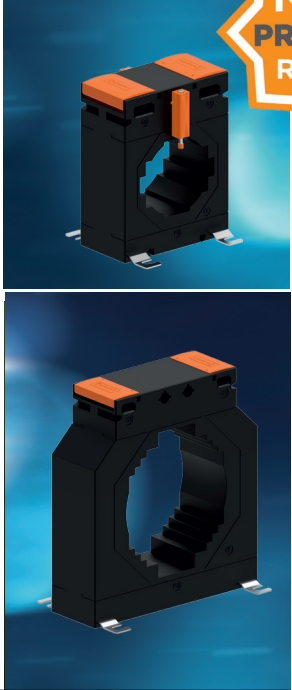


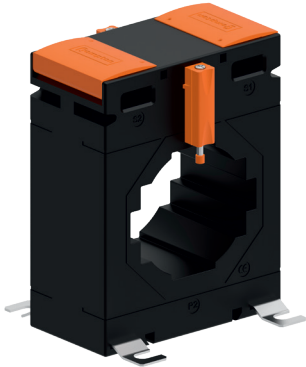
**NEW
PRODUCT
RANGE**



EBONY EXCEL + RANGE CURRENT TRANSFORMERS

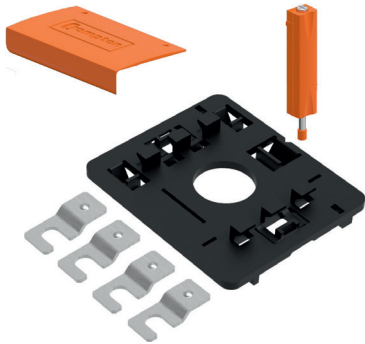
REVENUE GRADE HIGH ACCURACY
TE'S CROMPTON INSTRUMENTS

NEW
Class 0.2
Class 0.2S
Class 0.5S
ACCURACIES



FEATURES

- CT ratios from 1A to 6000A with 5A and 1A secondary's
- Comprehensive range of class accuracy's
- Cost effective moulded case
- Wide range of system current ratings, busbar sizes, case dimensions and apertures
- Wall, cable, busbar and DIN rail mounting
- Hinged terminal covers



BENEFITS

- Wide range of apertures and case sizes
- Reduction of high currents for ease of metering
- Long product life

APPROVALS

- IEC 61869-2
- BS3938
- UL Recognised File No. E104604 (XL3D, XL4D, XL7B models only)



EBONY EXCEL+ RANGE

TE's Crompton Instruments **Ebony Excel+** and **Ebony Excel** range of Current Transformers offer wide system current ratings, apertures, busbar and case sizes to suit every application. Manufactured to meet IEC61869-2, the range benefits include ratio rating from 1/5 to 6000/5, a comprehensive range of class accuracies, hinged wire sealable terminal covers for safety and multiple mounting options.

CONSTRUCTION

The toroidal core and secondary winding is encapsulated with UL94V-0 approved polycarbonate, in moulded case providing excellent mechanical strength and electrical insulation.

INSTALLATION OPTIONS

- Plug-in metal feet for wall or base mounting
- Moulded busbar mounting
- Primary copper busbar mounting
- Multi busbar mounting for two busbars
- Plastic DIN-rail adaptor for DIN-rail mounting (available as an option)

SPECIFICATION

| | |
|---|---|
| Applicable Standards | IEC 61869-2, BS3839, UL recognised |
| Applicable Standards | 10% glass filled polycarbonate Flame retardant grades classified UL94V-0 |
| Connection | Two connections each side. M4 screws with self lifting clamp assembly |
| Insulation Class | E (120°C Maximum) |
| System Voltage | 720V maximum |
| Test Voltage | 4KV 50Hz for 1 min (Except for XL2 model where test voltage is 3KV 50Hz for 1 min) |
| Operating Frequency | 50Hz or 60Hz |
| Rated secondary output | 5A standard (1A on request) |
| Rated burden | 1, 1.25, 1.5, 2.5, 3.75, 5, 7.5, 10, 12.5, 15, 20, 30, 45, 60, 100VA |
| Class of accuracy | 0.2, 0.2S & 0.5S |
| Ambient temperature | -20°C...+45°C |
| Storage temperature | -50°C...+80°C |
| Thermal short circuit current (I _{th}) | 60 x I _n |
| Dynamic short circuit current (I _{dyn}) | 2.5 x I _{th} |
| Instrument security factor | 5, 10, 15 |
| Rated continuous thermal current | 1,2 x I _n |
| Degree of protection | IP20 |

ACCURACY CLASSES

The **Ebony Excel+** range has class accuracies of 0.2, 0.2S and 0.5S.

APPLICATION NOTE:

In some cases, where CT model is marked with (*), to achieve class accuracy at low currents between 20A-40A, additional primary turns are required to achieve the required output. As such, these models are only suitable for cable conductors.



XLOA+ RANGE

Case size: 62 mm wide x 40 mm deep x 78 mm high

Primary Rating: 1 - 30A

Secondary Rating: 5A as below, 1A Ratio's available change part number to end in 1A e.g. XLOA-1/1A-0.2

| Part number | Primary current | Accuracy | Security Factor (ISF) |
|-----------------|-----------------|----------|-----------------------|
| | | 0.2 | 0.2 |
| XLOA-1/5A-0.2 | 1A | 1VA | 15 |
| XLOA-2.5/5A-0.2 | 2.5A | 1VA | 15 |
| XLOA-5/5A-0.2 | 5A | 1VA | 15 |
| XLOA-7.5/5A-0.2 | 7.5A | 1VA | 15 |
| XLOA-10/5A-0.2 | 10A | 1VA | 15 |
| XLOA-15/5A-0.2 | 15A | 1VA | 15 |
| XLOA-20/5A-0.2 | 20A | 1VA | 15 |
| XLOA-25/5A-0.2 | 25A | 1VA | 15 |
| XLOA-30/5A-0.2 | 30A | 1VA | 15 |



XLOB+ RANGE

Case size: 74 mm wide x 45 mm deep x 98 mm high

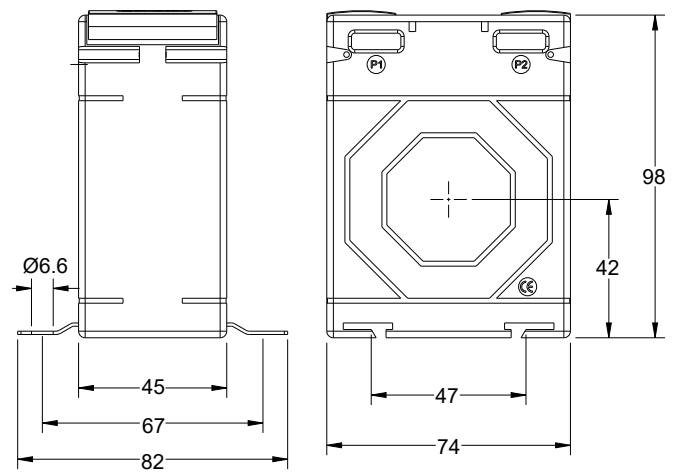
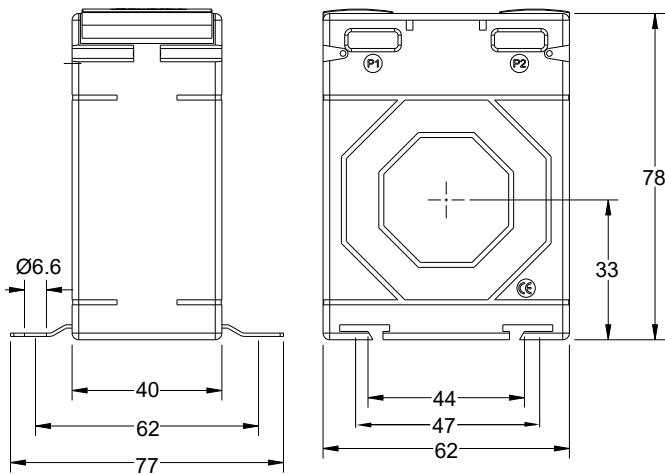
Primary Rating: 1 - 60A

Secondary Rating: 5A as below, 1A Ratio's available change part number to end in 1A e.g. XLOB-1/1A-0.2

| Part number | Primary current | Accuracy | Security Factor (ISF) |
|-----------------|-----------------|----------|-----------------------|
| | | 0.2 | 0.2 |
| XLOB-1/5A-0.2 | 1A | 1.5VA | 15 |
| XLOB-2.5/5A-0.2 | 2.5A | 1.5VA | 15 |
| XLOB-5/5A-0.2 | 5A | 1.5VA | 15 |
| XLOB-7.5/5A-0.2 | 7.5A | 1.5VA | 15 |
| XLOB-10/5A-0.2 | 10A | 1.5VA | 15 |
| XLOB-15/5A-0.2 | 15A | 1.5VA | 15 |
| XLOB-20/5A-0.2 | 20A | 1.5VA | 15 |
| XLOB-25/5A-0.2 | 25A | 1.5VA | 15 |
| XLOB-30/5A-0.2 | 30A | 1.5VA | 15 |
| XLOB-40/5A-0.2 | 40A | 1.5VA | 15 |
| XLOB-50/5A-0.2 | 50A | 1.5VA | 15 |
| XLOB-60/5A-0.2 | 60A | 1.5VA | 15 |

XLOA

XLOB





XL3A+ RANGE

Case size: 62 mm wide x 40 mm deep x 78 mm high

Aperture: Ø 22.5 mm

Primary Rating: 100 - 600A

Secondary Rating: 5A as below, 1A Ratio's available change part number to end in 1A e.g. XL3A-100/1A-0.2

| Part number | Primary current | Accuracy | | | Security Factor (ISF) | | |
|----------------|-----------------|----------|-------|-------|-----------------------|------|------|
| | | 0.2 | 0.2S | 0.5S | 0.2 | 0.2S | 0.5S |
| XL3A-100/5A-** | 100A | 1.5VA | - | - | 10 | - | - |
| XL3A-120/5A-** | 120A | 1.5VA | - | - | 10 | - | - |
| XL3A-125/5A-** | 125A | 1.5VA | - | - | 10 | - | - |
| XL3A-150/5A-** | 150A | 2.5VA | 2.5VA | 2.5VA | 10 | 5 | 5 |
| XL3A-200/5A-** | 200A | 5VA | 5VA | 5VA | 5 | 5 | 5 |
| XL3A-250/5A-** | 250A | 5VA | 5VA | 5VA | 5 | 5 | 5 |
| XL3A-300/5A-** | 300A | 5VA | 5VA | 5VA | 5 | 5 | 5 |
| XL3A-400/5A-** | 400A | 10VA | 5VA | 5VA | 5 | 5 | 5 |
| XL3A-500/5A-** | 500A | 10VA | - | - | 5 | - | - |
| XL3A-600/5A-** | 600A | 10VA | - | - | 5 | - | - |

Replace ** with required class accuracy



XL3B+ RANGE

Case size: 62 mm wide x 40 mm deep x 78 mm high

Aperture: 20.5 x 12.5 mm - 15.5 x 15.5 mm

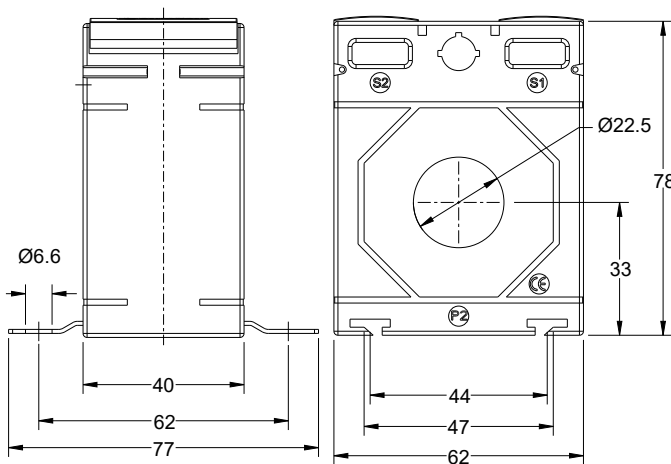
Primary Rating: 100 - 500A

Secondary Rating: 5A as below, 1A Ratio's available change part number to end in 1A e.g. XL3B-100/1A-0.2

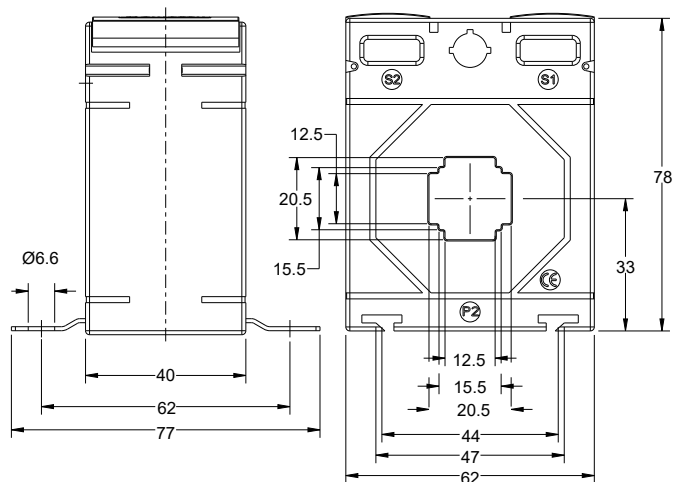
| Part number | Primary current | Accuracy | | | Security Factor (ISF) | | |
|----------------|-----------------|----------|--------|--------|-----------------------|------|------|
| | | 0.2 | 0.2S | 0.5S | 0.2 | 0.2S | 0.5S |
| XL3B-100/5A-** | 100A | 1.5VA | 1.5VA | 1.5VA | 10 | 5 | 5 |
| XL3B-120/5A-** | 120A | 1.5VA | 1.5VA | 1.5VA | 10 | 5 | 5 |
| XL3B-125/5A-** | 125A | 1.5VA | 1.5VA | 1.5VA | 10 | 5 | 5 |
| XL3B-150/5A-** | 150A | 2.5VA | 2VA | 2VA | 10 | 5 | 5 |
| XL3B-200/5A-** | 200A | 5VA | 3.75VA | 3.75VA | 5 | 5 | 5 |
| XL3B-250/5A-** | 250A | 5VA | 3.75VA | 3.75VA | 5 | 5 | 5 |
| XL3B-300/5A-** | 300A | 10VA | 3.75VA | 3.75VA | 5 | 5 | 5 |
| XL3B-400/5A-** | 400A | 10VA | 5VA | 5VA | 5 | 5 | 5 |
| XL3B-500/5A-** | 500A | 10VA | 5VA | 5VA | 5 | 5 | 5 |

Replace ** with required class accuracy

XL3A



XL3B



Busbar and Mounting feet fixings are supplied as standard.
DIN Rail Mounting Adapters available - Part Number XL-DRBRK-3



XL3C+ RANGE

Case size: 62 mm wide x 40 mm deep x 78 mm high

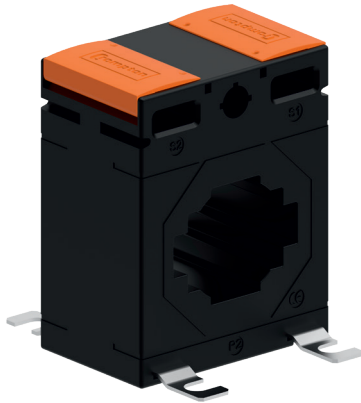
Aperture: 31 x 11 mm - 26 x 21 mm - Ø 30.5 mm

Primary Rating: 100 - 800

Secondary Rating: 5A as below, 1A Ratio's available change part number to end in 1A e.g. XL3C-100/1A-0.2

| Part number | Primary current | Accuracy | | | Security Factor (ISF) | | |
|----------------|-----------------|----------|-------|-------|-----------------------|------|------|
| | | 0.2 | 0.2S | 0.5S | 0.2 | 0.2S | 0.5S |
| XL3C-100/5A-** | 100A | 1VA | 1VA | 1VA | 10 | 5 | 5 |
| XL3C-120/5A-** | 120A | 1VA | 1VA | 1VA | 10 | 5 | 5 |
| XL3C-125/5A-** | 125A | 1VA | 1VA | 1VA | 10 | 5 | 5 |
| XL3C-150/5A-** | 150A | 1.5VA | 2.5VA | 2.5VA | 10 | 5 | 5 |
| XL3C-200/5A-** | 200A | 3.75VA | 5VA | 5VA | 10 | 5 | 5 |
| XL3C-250/5A-** | 250A | 5VA | 5VA | 5VA | 10 | 5 | 5 |
| XL3C-300/5A-** | 300A | 3.75VA | 5VA | 5VA | 10 | 5 | 5 |
| XL3C-400/5A-** | 400A | 10VA | 5VA | 5VA | 10 | 5 | 5 |
| XL3C-500/5A-** | 500A | 10VA | 5VA | 5VA | 5 | 10 | 10 |
| XL3C-600/5A-** | 600A | 10VA | 7.5VA | 7.5VA | 5 | 10 | 10 |
| XL3C-750/5A-** | 750A | 10VA | 10VA | 10VA | 5 | 10 | 10 |
| XL3C-800/5A-** | 800A | 10VA | 10VA | 10VA | 5 | 10 | 10 |

Replace ** with required class accuracy



XL3D+ RANGE

Case size: 62 mm wide x 40 mm deep x 78 mm high

Aperture: 40.5 x 11 mm - 31 x 21 mm - Ø 31 mm

Primary Rating: 200 - 800A

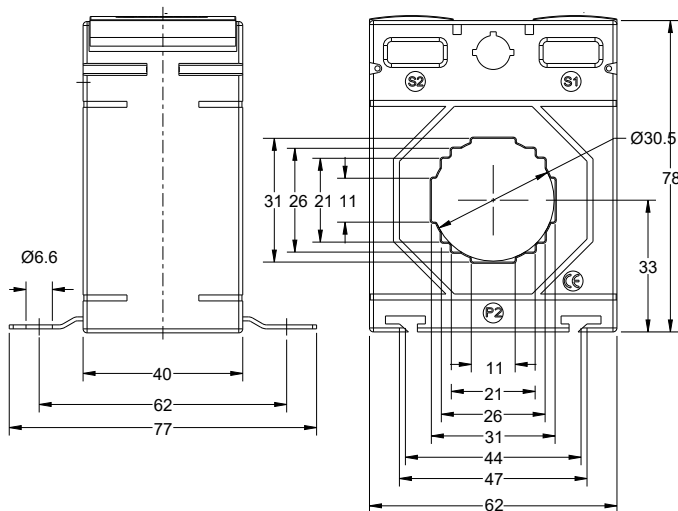
Secondary Rating: 5A as below, 1A Ratio's available change part number to end in 1A e.g. XL3D-200/1A-0.2



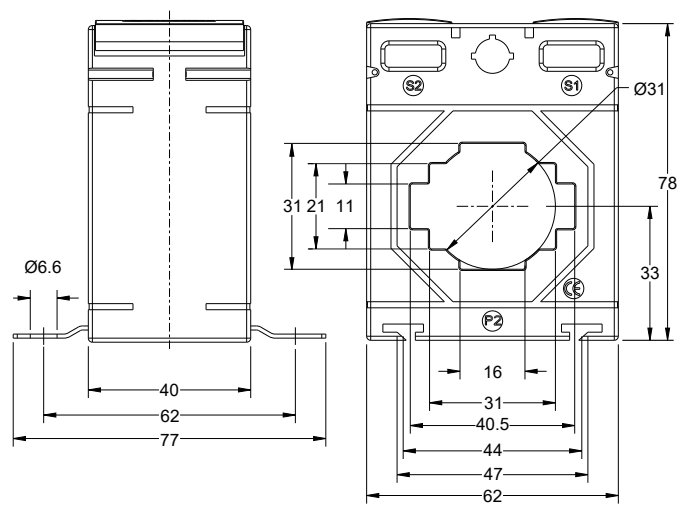
| Part number | Primary current | Accuracy | | | Security Factor (ISF) | | |
|----------------|-----------------|----------|-------|-------|-----------------------|------|------|
| | | 0.2 | 0.2S | 0.5S | 0.2 | 0.2S | 0.5S |
| XL3D-200/5A-** | 200A | 1VA | 1VA | 1VA | 10 | 5 | 5 |
| XL3D-250/5A-** | 250A | 1.5VA | 1.5VA | 1.5VA | 10 | 5 | 5 |
| XL3D-300/5A-** | 300A | 1.5VA | 1.5VA | 1.5VA | 10 | 5 | 5 |
| XL3D-400/5A-** | 400A | 2.5VA | 2.5VA | 2.5VA | 10 | 5 | 5 |
| XL3D-500/5A-** | 500A | 5VA | 2.5VA | 2.5VA | 5 | 5 | 5 |
| XL3D-600/5A-** | 600A | 7.5VA | 2.5VA | 2.5VA | 5 | 5 | 5 |
| XL3D-750/5A-** | 750A | 10VA | 5VA | 5VA | 5 | 5 | 5 |
| XL3D-800/5A-** | 800A | 10VA | 5VA | 5VA | 5 | 5 | 5 |

Replace ** with required class accuracy

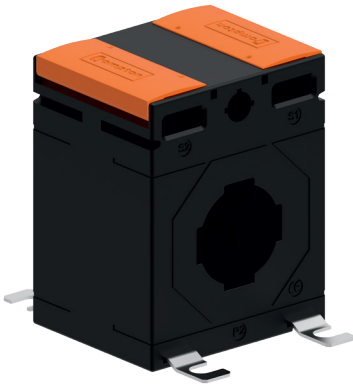
XL3C



XL3D



Busbar and Mounting feet fixings are supplied as standard.
DIN Rail Mounting Adapters available - Part Number XL-DRBRK-3



XL3E+ RANGE

Case size: 62 mm wide x 51 mm deep x 78 mm high

Aperture: 30.5 x 10.5 mm - Ø 28 mm

Primary Rating: 100 - 800A

Secondary Rating: 5A as below, 1A Ratio's available change part number to end in 1A e.g. XL3E-100/1A-0.2

| Part number | Primary current | Accuracy | | | Security Factor (ISF) | | |
|----------------|-----------------|----------|--------|------|-----------------------|------|------|
| | | 0.2 | 0.2S | 0.5S | 0.2 | 0.2S | 0.5S |
| XL3E-100/5A-** | 100A | 1.25VA | 1.25VA | | 15 | 5 | 5 |
| XL3E-120/5A-** | 120A | 1.25VA | 1.25VA | | 15 | 5 | 5 |
| XL3E-125/5A-** | 125A | 1.25VA | 1.25VA | | 15 | 5 | 5 |
| XL3E-150/5A-** | 150A | 2VA | 2VA | | 10 | 5 | 5 |
| XL3E-200/5A-** | 200A | 3.75VA | 5VA | | 10 | 5 | 5 |
| XL3E-250/5A-** | 250A | 5VA | 5VA | | 10 | 5 | 5 |
| XL3E-300/5A-** | 300A | 5VA | 5VA | | 10 | 5 | 5 |
| XL3E-400/5A-** | 400A | 6.25VA | 10VA | | 10 | 5 | 5 |
| XL3E-500/5A-** | 500A | 7.5VA | 5VA | | 10 | 10 | 10 |
| XL3E-600/5A-** | 600A | 10VA | 6.25VA | | 10 | 10 | 10 |
| XL3E-750/5A-** | 750A | 10VA | 6.25VA | | 10 | 10 | 10 |
| XL3E-800/5A-** | 800A | 10VA | 6.25VA | | 10 | 10 | 10 |

Replace ** with required class accuracy



XL4A+ RANGE

Case size: 74 mm wide x 45 mm deep x 98 mm high

Aperture: 21 x 11 mm - 15.5 X 15.5 mm- Ø 20.4 mm

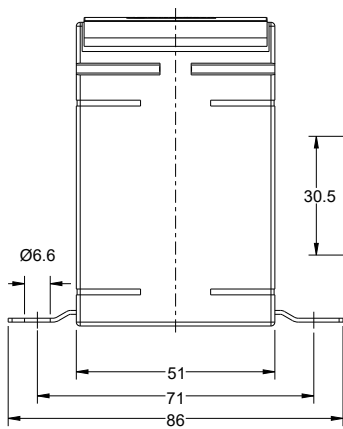
Primary Rating: 100 - 500A

Secondary Rating: 5A as below, 1A Ratio's available change part number to end in 1A e.g. XL4A-100/1A-0.2

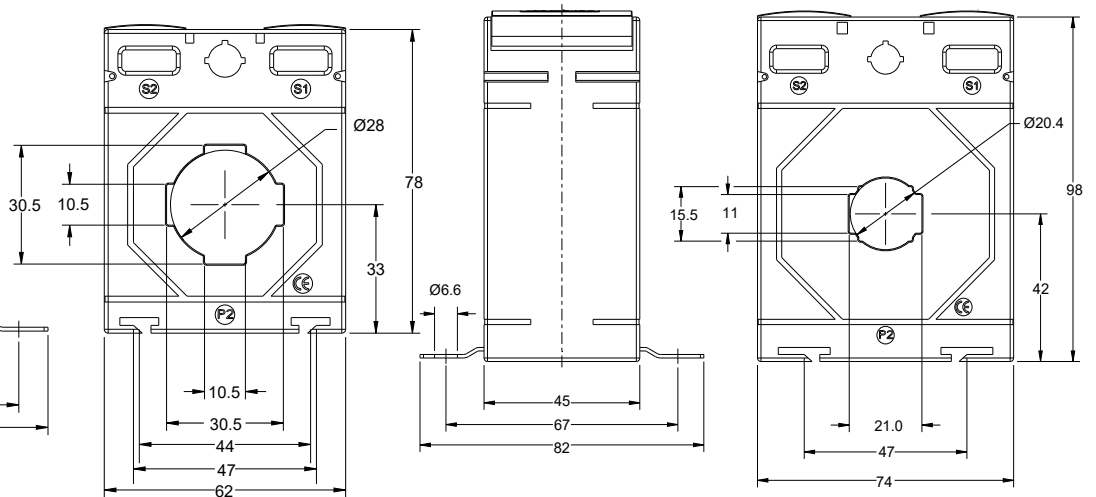
| Model type | Primary current | Accuracy | | | Security Factor (ISF) | | |
|----------------|-----------------|----------|-------|-------|-----------------------|------|------|
| | | 0.2 | 0.2S | 0.5S | 0.2 | 0.2S | 0.5S |
| XL4A-100/5A-** | 100A | 1.5VA | 1.5VA | 1.5VA | 15 | 5 | 5 |
| XL4A-120/5A-** | 120A | 1.5VA | 1.5VA | 1.5VA | 15 | 5 | 5 |
| XL4A-125/5A-** | 125A | 1.5VA | 1.5VA | 1.5VA | 15 | 5 | 5 |
| XL4A-150/5A-** | 150A | 2.5VA | 2.5VA | 2.5VA | 15 | 5 | 5 |
| XL4A-200/5A-** | 200A | 5VA | 5VA | 5VA | 10 | 5 | 5 |
| XL4A-250/5A-** | 250A | 5VA | 5VA | 5VA | 10 | 5 | 5 |
| XL4A-300/5A-** | 300A | 7.5VA | 5VA | 5VA | 10 | 5 | 5 |
| XL4A-400/5A-** | 400A | 10VA | 5VA | 5VA | 10 | 5 | 5 |
| XL4A-500/5A-** | 500A | 10VA | 5VA | 5VA | 10 | 5 | 5 |

Replace ** with required class accuracy

XL3E



XL4A





XL4B+ RANGE

Case size: 74 mm wide x 45 mm deep x 98 mm high

Aperture: 31 x 15 mm - 21 x 21 mm - Ø 26 mm

Primary Rating: 100 - 800A

Secondary Rating: 5A as below, 1A Ratio's available change part number to end in 1A e.g. XL4B-100/1A-0.2

| Part number | Primary current | Accuracy | | | Security Factor (ISF) | | |
|----------------|-----------------|----------|-------|-------|-----------------------|------|------|
| | | 0.2 | 0.2S | 0.5S | 0.2 | 0.2S | 0.5S |
| XL4B-100/5A-** | 100A | 1.5VA | 1.5VA | 1.5VA | 15 | 5 | 5 |
| XL4B-120/5A-** | 120A | 1.5VA | 1.5VA | 1.5VA | 15 | 5 | 5 |
| XL4B-125/5A-** | 125A | 1.5VA | 1.5VA | 1.5VA | 15 | 5 | 5 |
| XL4B-150/5A-** | 150A | 1.5VA | 1.5VA | 1.5VA | 15 | 5 | 5 |
| XL4B-200/5A-** | 200A | 2.5VA | 2.5VA | 2.5VA | 15 | 5 | 5 |
| XL4B-250/5A-** | 250A | 2.5VA | 2.5VA | 2.5VA | 10 | 5 | 5 |
| XL4B-300/5A-** | 300A | 5VA | 2.5VA | 2.5VA | 10 | 10 | 10 |
| XL4B-400/5A-** | 400A | 7.5VA | 5VA | 5VA | 10 | 10 | 10 |
| XL4B-500/5A-** | 500A | 10VA | 5VA | 5VA | 10 | 10 | 10 |
| XL4B-600/5A-** | 600A | 15VA | 5VA | 5VA | 10 | 10 | 10 |
| XL4B-750/5A-** | 750A | 20VA | 7.5VA | 7.5VA | 10 | 10 | 10 |
| XL4B-800/5A-** | 800A | 30VA | 10VA | 10VA | 10 | 10 | 10 |

Replace ** with required class accuracy



XL4C+ RANGE

Case size: 74 mm wide x 45 mm deep x 98 mm high

Aperture: 41 x 12.5 mm - 31 x 31 mm - Ø 35 mm

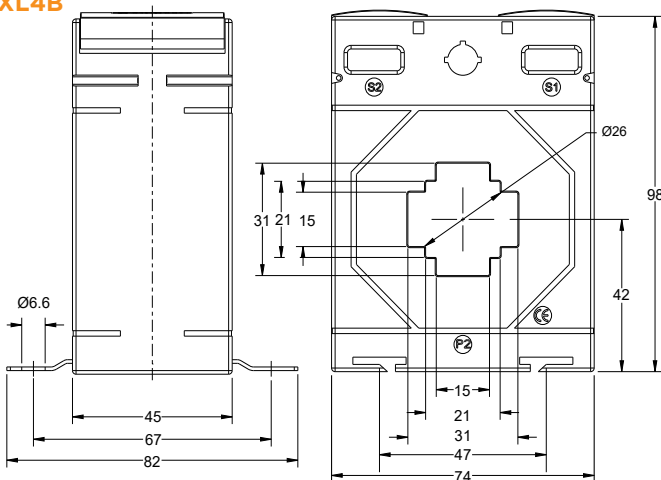
Primary Rating: 100 - 1000A

Secondary Rating: 5A as below, 1A Ratio's available change part number to end in 1A e.g. XL4C-100/1A-0.2S

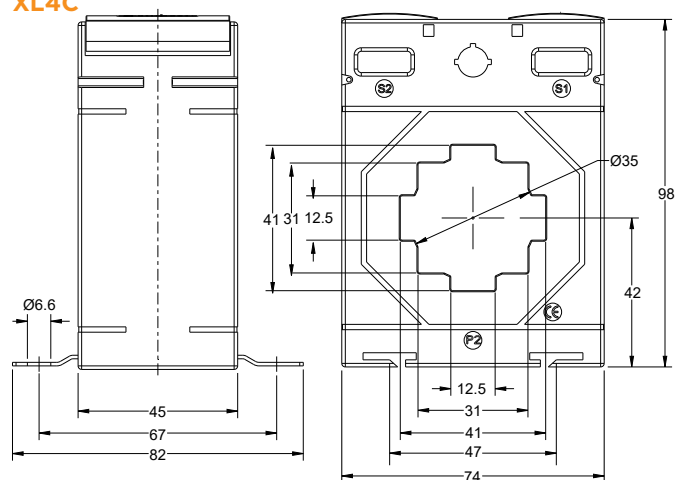
| Part number | Primary current | Accuracy | | | Security Factor (ISF) | | |
|-----------------|-----------------|----------|-------|-------|-----------------------|------|------|
| | | 0.2 | 0.2S | 0.5S | 0.2 | 0.2S | 0.5S |
| XL4C-100/5A-** | 100A | - | 1VA | 1VA | - | 5 | 5 |
| XL4C-120/5A-** | 120A | - | 1VA | 1VA | - | 5 | 5 |
| XL4C-125/5A-** | 125A | - | 1VA | 1VA | - | 5 | 5 |
| XL4C-150/5A-** | 150A | - | 1.5VA | 1.5VA | - | 5 | 5 |
| XL4C-200/5A-** | 200A | 2.5VA | 2.5VA | 2.5VA | 10 | 5 | 5 |
| XL4C-250/5A-** | 250A | 3.75VA | 5VA | 5VA | 10 | 5 | 5 |
| XL4C-300/5A-** | 300A | 5VA | 5VA | 5VA | 5 | 5 | 5 |
| XL4C-400/5A-** | 400A | 10VA | 5VA | 5VA | 5 | 5 | 5 |
| XL4C-500/5A-** | 500A | 10VA | 5VA | 5VA | 5 | 5 | 5 |
| XL4C-600/5A-** | 600A | 15VA | 5VA | 5VA | 5 | 10 | 10 |
| XL4C-750/5A-** | 750A | 15VA | 5VA | 5VA | 5 | 10 | 10 |
| XL4C-800/5A-** | 800A | 15VA | 7.5VA | 7.5VA | 5 | 5 | 5 |
| XL4C-1000/5A-** | 1000A | 15VA | 10VA | 10VA | 5 | 5 | 5 |

Replace ** with required class accuracy

XL4B



XL4C





XL4D+ RANGE

Case size: 74 mm wide x 45 mm deep x 98 mm high

Aperture: 51 x 12.5 mm - 41 x 21 mm - 31 x 31 mm - Ø 41 mm

Primary Rating: 250 - 1000A

Secondary Rating: 5A as below, 1A Ratio's available change part number to end in 1A e.g. XL4D-250/1A-0.2

| Part number | Primary current | Accuracy | | | Security Factor (ISF) | | |
|-----------------|-----------------|----------|-------|-------|-----------------------|------|------|
| | | 0.2 | 0.2S | 0.5S | 0.2 | 0.2S | 0.5S |
| XL4D-250/5A-** | 250A | 1.5VA | 1.5VA | 1.5VA | 10 | 5 | 5 |
| XL4D-300/5A-** | 300A | 1.5VA | 1.5VA | 1.5VA | 10 | 5 | 5 |
| XL4D-400/5A-** | 400A | 2.5VA | 2.5VA | 2.5VA | 5 | 5 | 5 |
| XL4D-500/5A-** | 500A | 5VA | 5VA | 5VA | 5 | 5 | 5 |
| XL4D-600/5A-** | 600A | 7.5VA | 5VA | 5VA | 5 | 5 | 5 |
| XL4D-750/5A-** | 750A | 10VA | 5VA | 5VA | 5 | 5 | 5 |
| XL4D-800/5A-** | 800A | 10VA | 5VA | 5VA | 5 | 5 | 5 |
| XL4D-1000/5A-** | 1000A | 10VA | 5VA | 5VA | 5 | 5 | 5 |

Replace ** with required class accuracy



XL5A+ RANGE

Case size: 86 mm wide x 45 mm deep x 110 mm high

Aperture: 41 x 11 mm - 31 x 31 mm - Ø 36 mm diameter

Primary Rating: 100 - 1000A

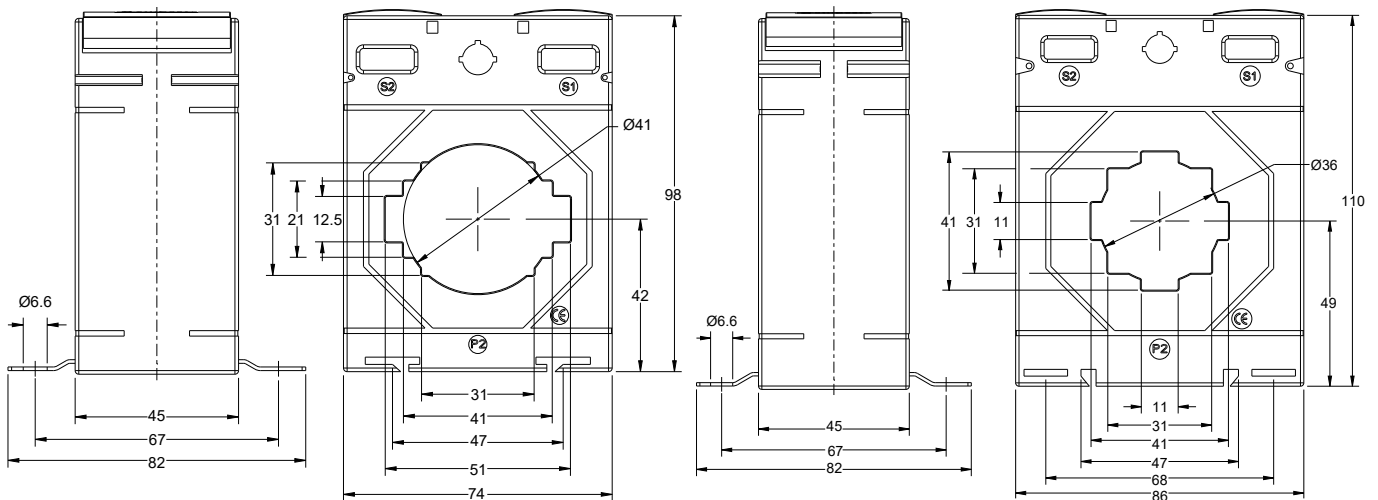
Secondary Rating: 5A as below, 1A Ratio's available change part number to end in 1A e.g. XL5A-100/1A-0.2

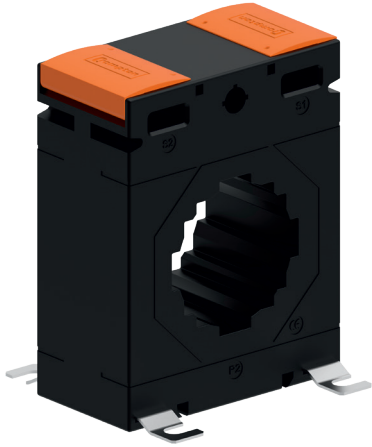
| Part number | Primary current | Accuracy | | | Security Factor (ISF) | | |
|-----------------|-----------------|----------|-------|-------|-----------------------|------|------|
| | | 0.2 | 0.2S | 0.5S | 0.2 | 0.2S | 0.5S |
| XL5A-100/5A-** | 100A | 1.5VA | 1.5VA | 1.5VA | 10 | 5 | 5 |
| XL5A-120/5A-** | 120A | 1.5VA | 1.5VA | 1.5VA | 10 | 5 | 5 |
| XL5A-125/5A-** | 125A | 1.5VA | 1.5VA | 1.5VA | 10 | 5 | 5 |
| XL5A-150/5A-** | 150A | 2.5VA | 2.5VA | 2.5VA | 10 | 5 | 5 |
| XL5A-200/5A-** | 200A | 2.5VA | 5VA | 5VA | 10 | 5 | 5 |
| XL5A-250/5A-** | 250A | 5VA | 10VA | 10VA | 10 | 5 | 5 |
| XL5A-300/5A-** | 300A | 10VA | 10VA | 10VA | 10 | 5 | 5 |
| XL5A-400/5A-** | 400A | 15VA | 10VA | 10VA | 10 | 15 | 15 |
| XL5A-500/5A-** | 500A | 15VA | 5VA | 5VA | 5 | 15 | 15 |
| XL5A-600/5A-** | 600A | 15VA | 7.5VA | 7.5VA | 5 | 10 | 10 |
| XL5A-750/5A-** | 750A | 15VA | 7.5VA | 7.5VA | 5 | 10 | 10 |
| XL5A-800/5A-** | 800A | 15VA | 10VA | 10VA | 5 | 10 | 10 |
| XL5A-1000/5A-** | 1000A | 15VA | 10VA | 10VA | 5 | 10 | 10 |

Replace ** with required class accuracy

XL4D

XL5A





XL5B+ RANGE

Case size: 86 mm wide x 45 mm deep x 110 mm high

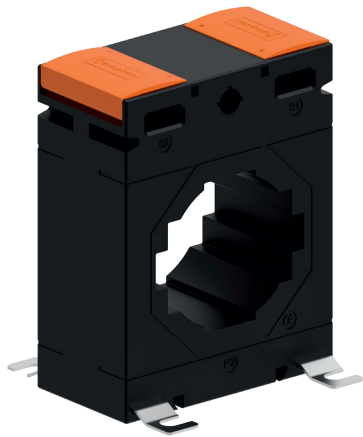
Aperture: 51 x 12.5 mm - 41 x 31 mm - Ø 46 mm

Primary Rating: 200 - 1250A

Secondary Rating: 5A as below, 1A Ratio's available change part number to end in 1A e.g. XL5B-200/1A-0.2

| Part number | Primary current | Accuracy | | | Security Factor (ISF) | | |
|-----------------|-----------------|----------|-------|-------|-----------------------|------|------|
| | | 0.2 | 0.2S | 0.5S | 0.2 | 0.2S | 0.5S |
| XL5B-200/5A-** | 200A | - | 2.5VA | 2.5VA | - | 5 | 5 |
| XL5B-250/5A-** | 250A | - | 2.5VA | 2.5VA | - | 5 | 5 |
| XL5B-300/5A-** | 300A | 3.75VA | 5VA | 5VA | 10 | 5 | 5 |
| XL5B-400/5A-** | 400A | 10VA | 7.5VA | 7.5VA | 10 | 5 | 5 |
| XL5B-500/5A-** | 500A | 10VA | 7.5VA | 7.5VA | 10 | 5 | 5 |
| XL5B-600/5A-** | 600A | 15VA | 10VA | 10VA | 10 | 5 | 5 |
| XL5B-750/5A-** | 750A | 15VA | 7.5VA | 7.5VA | 10 | 10 | 10 |
| XL5B-800/5A-** | 800A | 12.5VA | 10VA | 10VA | 5 | 10 | 10 |
| XL5B-1000/5A-** | 1000A | 20VA | 10VA | 10VA | 5 | 5 | 5 |
| XL5B-1200/5A-** | 1200A | 20VA | 10VA | 10VA | 5 | 5 | 5 |
| XL5B-1250/5A-** | 1250A | 20VA | 10VA | 10VA | 5 | 5 | 5 |

Replace ** with required class accuracy



XL5C+ RANGE

Case size: 86 mm wide x 45 mm deep x 110 mm high

Aperture: 61 x 12.5 mm - 51 x 31 mm - Ø 51 mm

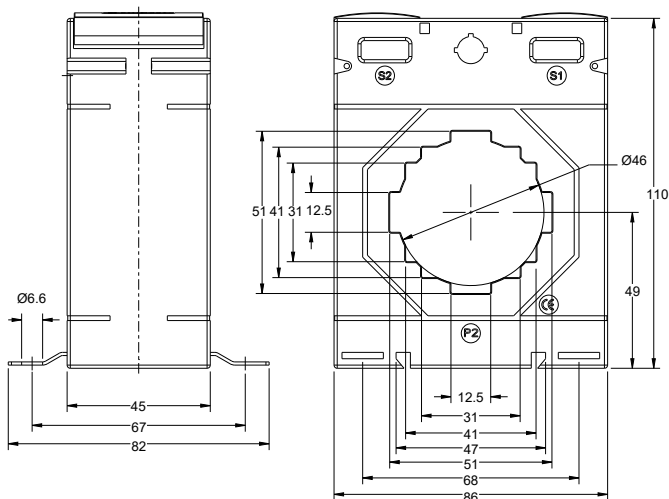
Primary Rating: 300 - 1600A

Secondary Rating: 5A as below, 1A Ratio's available change part number to end in 1A e.g. XL5C-300/1A-0.2

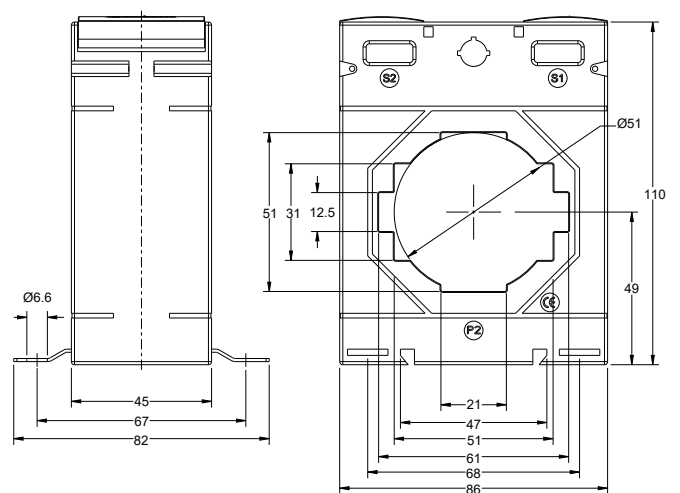
| Part number | Primary current | Accuracy | | | Security Factor (ISF) | | |
|-----------------|-----------------|----------|-------|-------|-----------------------|------|------|
| | | 0.2 | 0.2S | 0.5S | 0.2 | 0.2S | 0.5S |
| XL5C-300/5A-** | 300A | 1.5VA | 1.5VA | 1.5VA | 10 | 5 | 5 |
| XL5C-400/5A-** | 400A | 2.5VA | 2.5VA | 2.5VA | 10 | 5 | 5 |
| XL5C-500/5A-** | 500A | 3.75VA | 2.5VA | 2.5VA | 10 | 5 | 5 |
| XL5C-600/5A-** | 600A | 5VA | 5VA | 5VA | 10 | 10 | 10 |
| XL5C-750/5A-** | 750A | 10VA | 5VA | 5VA | 5 | 10 | 10 |
| XL5C-800/5A-** | 800A | 12.5VA | 7.5VA | 7.5VA | 5 | 10 | 10 |
| XL5C-1000/5A-** | 1000A | 15VA | 10VA | 10VA | 5 | 10 | 10 |
| XL5C-1200/5A-** | 1200A | 15VA | 10VA | 10VA | 5 | 10 | 10 |
| XL5C-1250/5A-** | 1250A | 15VA | 10VA | 10VA | 5 | 10 | 10 |
| XL5C-1500/5A-** | 1500A | 15VA | 10VA | 10VA | 5 | 5 | 5 |
| XL5C-1600/5A-** | 1600A | 15VA | 10VA | 10VA | 5 | 5 | 5 |

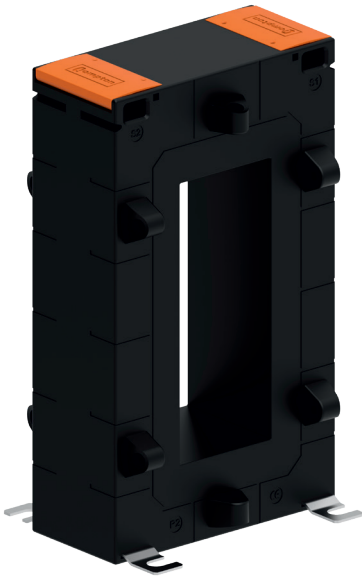
Replace ** with required class accuracy

XL5B



XL5C





XL6A+ RANGE

Case size: 99 mm wide x 45 mm deep x 170 mm high

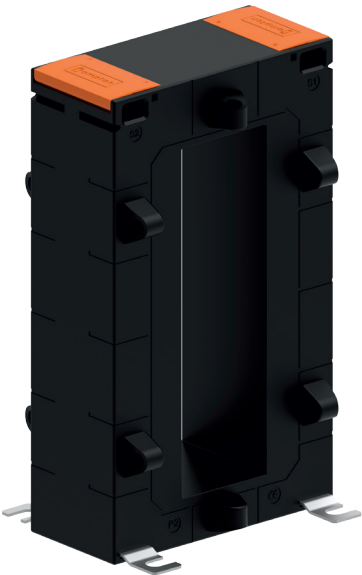
Aperture: 41 x 103 mm

Primary Rating: 1000 - 2500A

Secondary Rating: 5A as below, 1A Ratio's available change part number to end in 1A e.g. XL6A-1000/1A-0.2

| Part number | Primary current | Accuracy | | | Security Factor (ISF) | | |
|-----------------|-----------------|----------|-------|-------|-----------------------|------|------|
| | | 0.2 | 0.2S | 0.5S | 0.2 | 0.2S | 0.5S |
| XL6A-1000/5A-** | 1000A | 5VA | - | - | 10 | - | - |
| XL6A-1200/5A-** | 1200A | 5VA | 5VA | 5VA | 10 | 10 | 10 |
| XL6A-1250/5A-** | 1250A | 5VA | 5VA | 5VA | 10 | 10 | 10 |
| XL6A-1500/5A-** | 1500A | 5VA | 5VA | 5VA | 10 | 10 | 10 |
| XL6A-1600/5A-** | 1600A | 10VA | 7.5VA | 7.5VA | 10 | 10 | 10 |
| XL6A-2000/5A-** | 2000A | 10VA | 7.5VA | 7.5VA | 10 | 10 | 10 |
| XL6A-2400/5A-** | 2400A | 10VA | 10VA | 10VA | 10 | 10 | 10 |
| XL6A-2500/5A-** | 2500A | 10VA | 10VA | 10VA | 10 | 10 | 10 |

Replace ** with required class accuracy



XL6B+ RANGE

Case size: 99 mm wide x 45 mm deep x 170 mm high

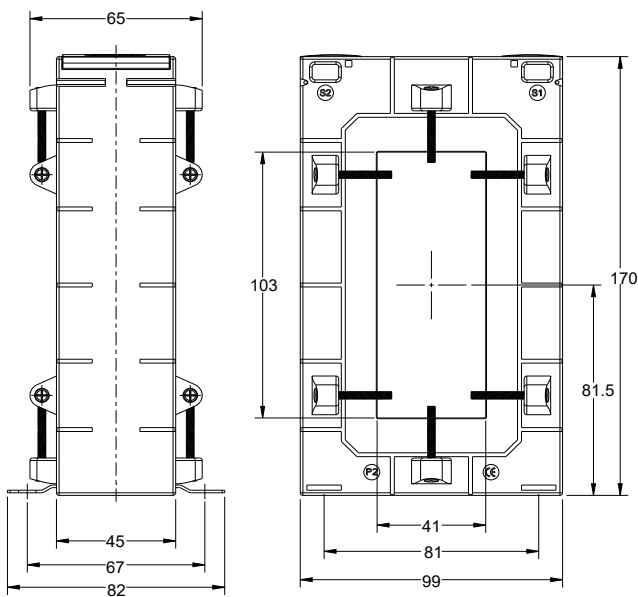
Aperture: 38 x 128 mm

Primary Rating: 1500 - 3200A

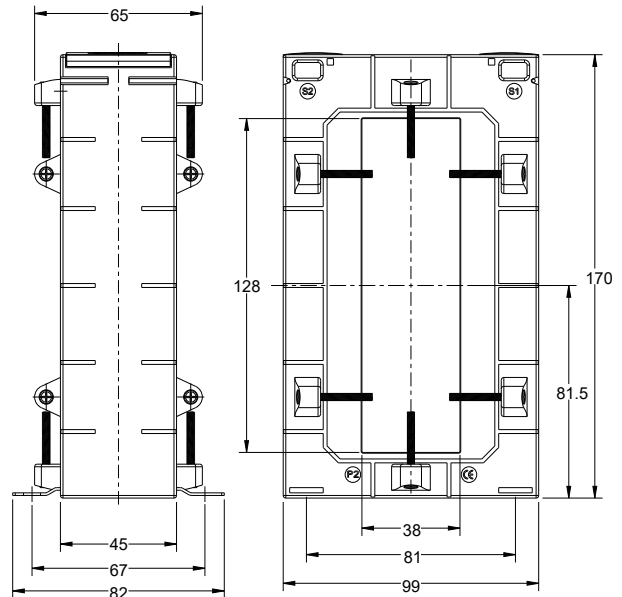
Secondary Rating: 5A as below, 1A Ratio's available change part number to end in 1A e.g. XL6B-1500/1A-0.2

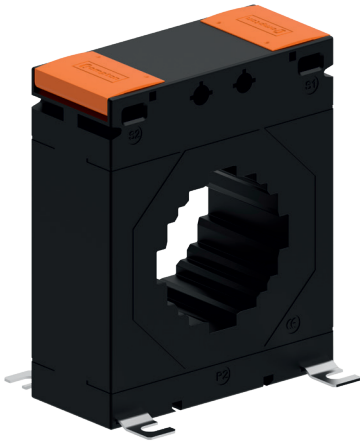
| Part number | Primary current | Accuracy | | Security Factor (ISF) | |
|------------------|-----------------|----------|------|-----------------------|------|
| | | 0.2 | 0.2S | 0.2 | 0.2S |
| XL6B-1500/5A-0.2 | 1500A | 5VA | | 10 | |
| XL6B-1600/5A-0.2 | 1600A | 5VA | | 10 | |
| XL6B-2000/5A-0.2 | 2000A | 5VA | | 10 | |
| XL6B-2500/5A-0.2 | 2500A | 5VA | | 10 | |
| XL6B-3200/5A-0.2 | 3200A | 5VA | | 10 | |

XL6A



XL6B





XL7A+ RANGE

Case size: 104 mm wide x 45 mm deep x 126 mm high

Aperture: 61 x 12.5 mm - 51 x 31 mm - 41 x 41 mm - Ø 54 mm

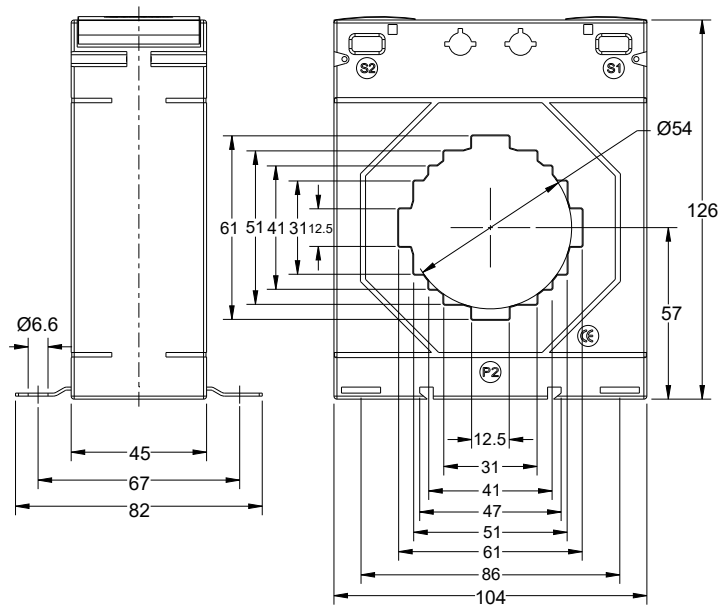
Primary Rating: 200 - 1600A

Secondary Rating: 5A as below, 1A Ratio's available change part number to end in 1A e.g. XL7A-200/1A-0.2

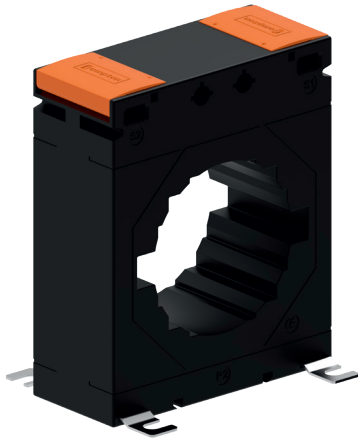
| Part number | Primary current | Accuracy | | | Security Factor (ISF) | | |
|-----------------|-----------------|----------|--------|--------|-----------------------|------|------|
| | | 0.2 | 0.2S | 0.5S | 0.2 | 0.2S | 0.5S |
| XL7A-200/5A-** | 200A | 1VA | - | - | 15 | - | - |
| XL7A-250/5A-** | 250A | 2.5VA | - | - | 15 | - | - |
| XL7A-300/5A-** | 300A | 3.75VA | 1.5VA | 1.5VA | 15 | 15 | 15 |
| XL7A-400/5A-** | 400A | 7.5VA | 2.5VA | 2.5VA | 15 | 15 | 15 |
| XL7A-500/5A-** | 500A | 10VA | 3.75VA | 3.75VA | 10 | 15 | 15 |
| XL7A-600/5A-** | 600A | 15VA | 5VA | 5VA | 10 | 15 | 15 |
| XL7A-750/5A-** | 750A | 15VA | 5VA | 5VA | 10 | 15 | 15 |
| XL7A-800/5A-** | 800A | 15VA | 7.5VA | 7.5VA | 10 | 15 | 15 |
| XL7A-1000/5A-** | 1000A | 20VA | 10VA | 10VA | 5 | 10 | 10 |
| XL7A-1200/5A-** | 1200A | 30VA | 10VA | 10VA | 5 | 10 | 10 |
| XL7A-1250/5A-** | 1250A | 30VA | 10VA | 10VA | 5 | 10 | 10 |
| XL7A-1500/5A-** | 1500A | 30VA | 10VA | 10VA | 5 | 10 | 10 |
| XL7A-1600/5A-** | 1600A | 30VA | 10VA | 10VA | 5 | 10 | 10 |

Replace ** with required class accuracy

XL7A



Busbar and Mounting feet fixings are supplied as standard.
DIN Rail Mounting Adapters available - Part Number XL-DRBRK-3



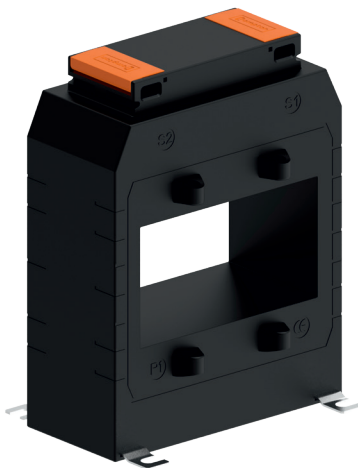
XL7B+ RANGE

Case size: 104 mm wide x 45 mm deep x 126 mm high
Aperture: 81 x 12.5 mm - 61 x 31 mm - 51 x 51 mm - Ø 65 mm
Primary Rating: 400 - 2000A
Secondary Rating: 5A as below, 1A Ratio's available change part number to end in 1A e.g. XL7B-200/1A-0.2

| Part number | Primary current | Accuracy | | | Security Factor (ISF) | | |
|-----------------|-----------------|----------|--------|--------|-----------------------|------|------|
| | | 0.2 | 0.2S | 0.5S | 0.2 | 0.2S | 0.5S |
| XL7B-400/5A-** | 400A | 1.5VA | - | - | 10 | - | - |
| XL7B-500/5A-** | 500A | 5VA | - | - | 10 | - | - |
| XL7B-600/5A-** | 600A | 5VA | 3.75VA | 3.75VA | 10 | 10 | 10 |
| XL7B-750/5A-** | 750A | 5VA | 5VA | 5VA | 10 | 10 | 10 |
| XL7B-800/5A-** | 800A | 7.5VA | 5VA | 5VA | 5 | 10 | 10 |
| XL7B-1000/5A-** | 1000A | 12.5VA | 7.5VA | 7.5VA | 5 | 10 | 10 |
| XL7B-1200/5A-** | 1200A | 15VA | 10VA | 10VA | 5 | 5 | 5 |
| XL7B-1250/5A-** | 1250A | 15VA | 10VA | 10VA | 5 | 5 | 5 |
| XL7B-1500/5A-** | 1500A | 15VA | 10VA | 10VA | 5 | 5 | 5 |
| XL7B-1600/5A-** | 1600A | 15VA | 10VA | 10VA | 5 | 5 | 5 |
| XL7B-2000/5A-** | 2000A | 15VA | 10VA | 10VA | 5 | 5 | 5 |

Replace ** with required class accuracy

Busbar and Mounting feet fixings are supplied as standard.
 DIN Rail Mounting Adapters available - Part Number XL-DRBRK-3



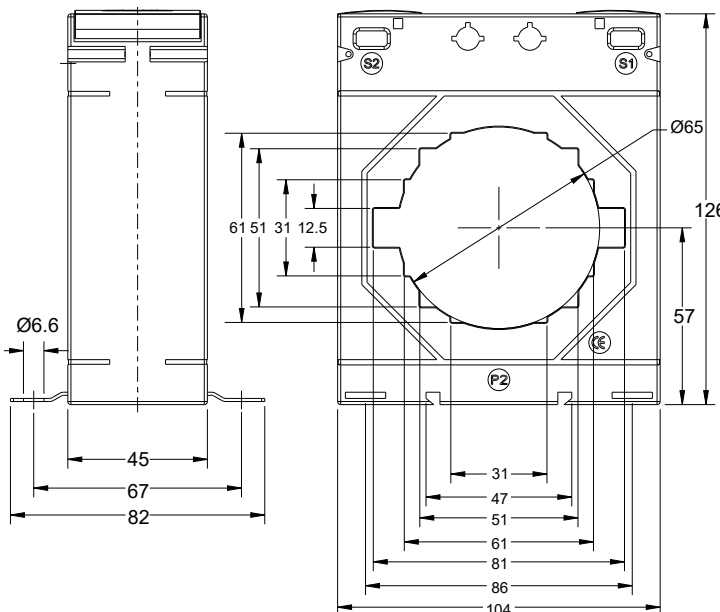
XL7C+ RANGE

Case size: 130 mm wide x 60 mm deep x 170 mm high
Aperture: 56 x 101 mm
Primary Rating: 600 - 3000A
Secondary Rating: 5A as below, 1A Ratio's available change part number to end in 1A e.g. XL7C-600/1A-0.2

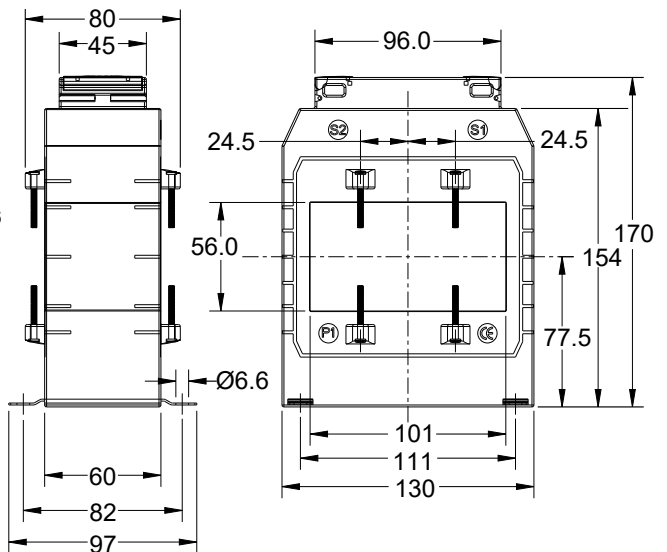
| Part number | Primary current | Accuracy | | | Security Factor (ISF) | | |
|-----------------|-----------------|----------|--------|--------|-----------------------|------|------|
| | | 0.2 | 0.2S | 0.5S | 0.2 | 0.2S | 0.5S |
| XL7C-600/5A-** | 600A | 2.5VA | 2.5VA | 2.5VA | 5 | 5 | 5 |
| XL7C-750/5A-** | 750A | 5VA | 3.75VA | 3.75VA | 5 | 5 | 5 |
| XL7C-800/5A-** | 800A | 7.5VA | 5VA | 5VA | 5 | 5 | 5 |
| XL7C-1000/5A-** | 1000A | 10VA | 7.5VA | 7.5VA | 5 | 5 | 5 |
| XL7C-1200/5A-** | 1200A | 10VA | 10VA | 10VA | 10 | 10 | 10 |
| XL7C-1250/5A-** | 1250A | 10VA | 10VA | 10VA | 10 | 10 | 10 |
| XL7C-1500/5A-** | 1500A | 15VA | 10VA | 10VA | 5 | 10 | 10 |
| XL7C-1600/5A-** | 1600A | 15VA | 10VA | 10VA | 5 | 10 | 10 |
| XL7C-2000/5A-** | 2000A | 15VA | 10VA | 10VA | 5 | 10 | 10 |
| XL7C-2500/5A-** | 2500A | 15VA | 10VA | 10VA | 10 | 10 | 10 |
| XL7C-3000/5A-** | 3000A | 15VA | 12.5VA | 12.5VA | 10 | 10 | 10 |

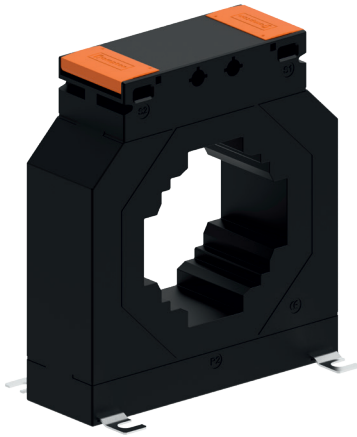
Replace ** with required class accuracy

XL7B



XL7C





XL8A+ RANGE

Case size: 140 mm wide x 45 mm deep x 155 mm high

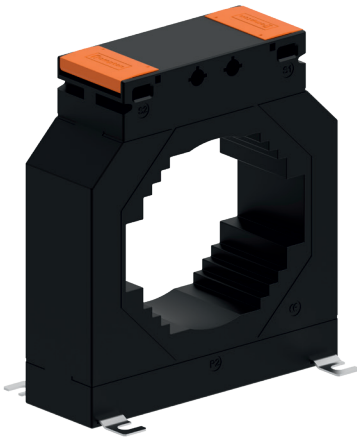
Aperture: 81 x 31 mm - 61 x 51 mm - Ø 73 mm

Primary Rating: 300 - 2000A

Secondary Rating: 5A as below, 1A Ratio's available change part number to end in 1A e.g. XL8A-300/1A-0.2

| Part number | Primary current | Accuracy | | | Security Factor (ISF) | | |
|------------------|-----------------|----------|--------|--------|-----------------------|------|------|
| | | 0.2 | 0.2S | 0.5S | 0.2 | 0.2S | 0.5S |
| XL8A-300/5A-**- | 300A | 1.5VA | - | - | 15 | - | - |
| XL8A-400/5A-**- | 400A | 2.5VA | - | - | 15 | - | - |
| XL8A-500/5A-**- | 500A | 5VA | 2.5VA | 2.5VA | 15 | 15 | 15 |
| XL8A-600/5A-**- | 600A | 7.5VA | 3.75VA | 3.75VA | 10 | 15 | 15 |
| XL8A-750/5A-**- | 750A | 10VA | 5VA | 5VA | 10 | 15 | 15 |
| XL8A-800/5A-**- | 800A | 10VA | 5VA | 5VA | 10 | 15 | 15 |
| XL8A-1000/5A-**- | 1000A | 15VA | 10VA | 10VA | 10 | 10 | 10 |
| XL8A-1200/5A-**- | 1200A | 15VA | 12.5VA | 12.5VA | 10 | 10 | 10 |
| XL8A-1250/5A-**- | 1250A | 30VA | 12.5VA | 12.5VA | 5 | 10 | 10 |
| XL8A-1500/5A-**- | 1500A | 30VA | 15VA | 15VA | 5 | 10 | 10 |
| XL8A-1600/5A-**- | 1600A | 30VA | 15VA | 15VA | 5 | 10 | 10 |
| XL8A-2000/5A-**- | 2000A | 30VA | 15VA | 15VA | 5 | 10 | 10 |

Replace ** with required class accuracy



XL8B+ RANGE

Case size: 140 mm wide x 45 mm deep x 155 mm high

Aperture: 101 x 31 mm - 81 x 51 mm - 71 x 61 mm - Ø 86 mm

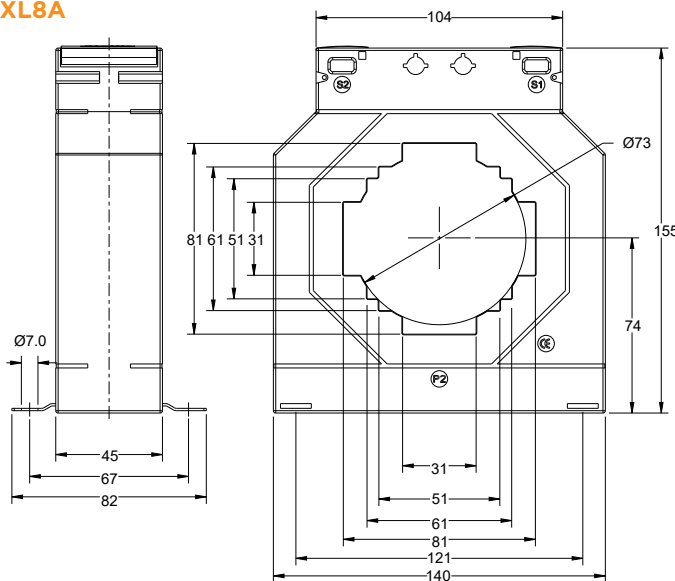
Primary Rating: 400 - 4000A

Secondary Rating: 5A as below, 1A Ratio's available change part number to end in 1A e.g. XL8B-400/1A-0.2S

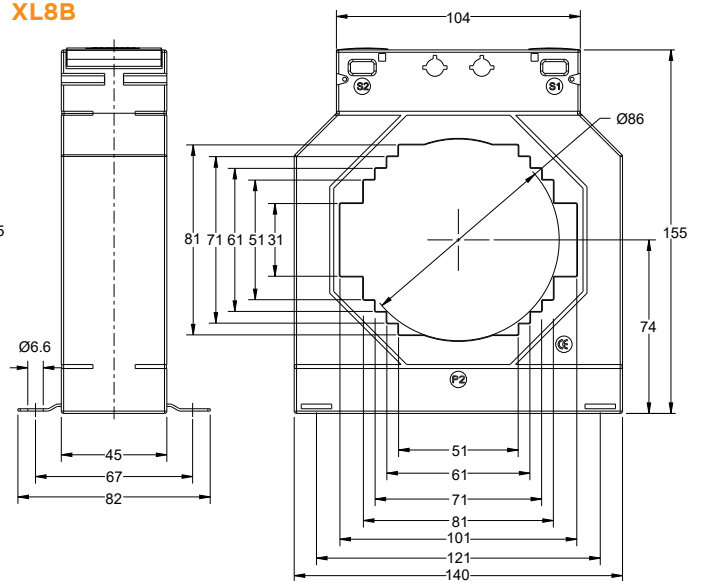
| Part number | Primary current | Accuracy | | | Security Factor (ISF) | | |
|------------------|-----------------|----------|-------|-------|-----------------------|------|------|
| | | 0.2 | 0.2S | 0.5S | 0.2 | 0.2S | 0.5S |
| XL8B-400/5A-**- | 400A | 1.5VA | - | - | 15 | - | - |
| XL8B-500/5A-**- | 500A | 2.5VA | - | - | 15 | - | - |
| XL8B-600/5A-**- | 600A | 3.75VA | 2.5VA | 2.5VA | 15 | 15 | 15 |
| XL8B-750/5A-**- | 750A | 5VA | 5VA | 5VA | 15 | 15 | 15 |
| XL8B-800/5A-**- | 800A | 5VA | 5VA | 5VA | 10 | 10 | 10 |
| XL8B-1000/5A-**- | 1000A | 10VA | 5VA | 5VA | 5 | 10 | 10 |
| XL8B-1200/5A-**- | 1200A | 15VA | 10VA | 10VA | 5 | 5 | 5 |
| XL8B-1250/5A-**- | 1250A | 15VA | 10VA | 10VA | 5 | 5 | 5 |
| XL8B-1500/5A-**- | 1500A | 20VA | 15VA | 15VA | 5 | 5 | 5 |
| XL8B-1600/5A-**- | 1600A | 20VA | 15VA | 15VA | 5 | 5 | 5 |
| XL8B-2000/5A-**- | 2000A | 30VA | 15VA | 15VA | 5 | 5 | 5 |
| XL8B-2500/5A-**- | 2500A | 30VA | 15VA | 15VA | 5 | 5 | 5 |
| XL8B-3000/5A-**- | 3000A | 20VA | 15VA | 15VA | 5 | 5 | 5 |
| XL8B-4000/5A-**- | 4000A | 30VA | 15VA | 15VA | 5 | 5 | 5 |

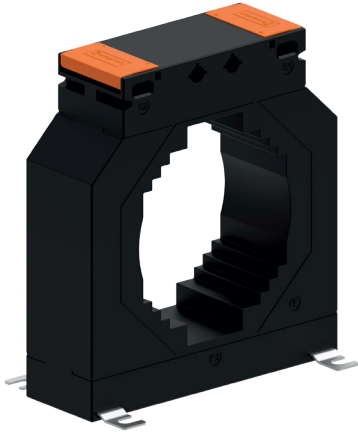
Replace ** with required class accuracy

XL8A



XL8B





XL8C+ RANGE

Case size: 140 mm wide x 45 mm deep x 155 mm high

Aperture: 31 x 101 mm - 51 x 81 mm - 61 x 71 mm - Ø 86mm

Primary Rating: 400 - 3000A

Secondary Rating: 5A as below, 1A Ratio's available change part number to end in 1A e.g. XL8C-400/1A-0.2

| Part number | Primary current | Accuracy | | | Security Factor (ISF) | | |
|-----------------|-----------------|----------|--------|--------|-----------------------|------|------|
| | | 0.2 | 0.2S | 0.5S | 0.2 | 0.2S | 0.5S |
| XL8C-400/5A-** | 400A | 1.5VA | - | - | 15 | - | - |
| XL8C-500/5A-** | 500A | 2.5VA | - | - | 15 | - | - |
| XL8C-600/5A-** | 600A | 3.75VA | 2.75VA | 2.75VA | 15 | 15 | 15 |
| XL8C-750/5A-** | 750A | 5VA | 5VA | 5VA | 15 | 15 | 15 |
| XL8C-800/5A-** | 800A | 5VA | 5VA | 5VA | 10 | 10 | 10 |
| XL8C-1000/5A-** | 1000A | 10VA | 5VA | 5VA | 5 | 10 | 10 |
| XL8C-1200/5A-** | 1200A | 15VA | 10VA | 10VA | 5 | 5 | 5 |
| XL8C-1250/5A-** | 1250A | 15VA | 10VA | 10VA | 5 | 5 | 5 |
| XL8C-1500/5A-** | 1500A | 20VA | 15VA | 15VA | 5 | 5 | 5 |
| XL8C-1600/5A-** | 1600A | 20VA | 15VA | 15VA | 5 | 5 | 5 |
| XL8C-2000/5A-** | 2000A | 30VA | 15VA | 15VA | 5 | 5 | 5 |
| XL8C-2500/5A-** | 2500A | 30VA | 15VA | 15VA | 5 | 5 | 5 |
| XL8C-3000/5A-** | 3000A | 30VA | 15VA | 15VA | 5 | 5 | 5 |

Replace ** with required class accuracy



XL9A+ RANGE

Case size: 140 mm wide x 45 mm deep x 185 mm high

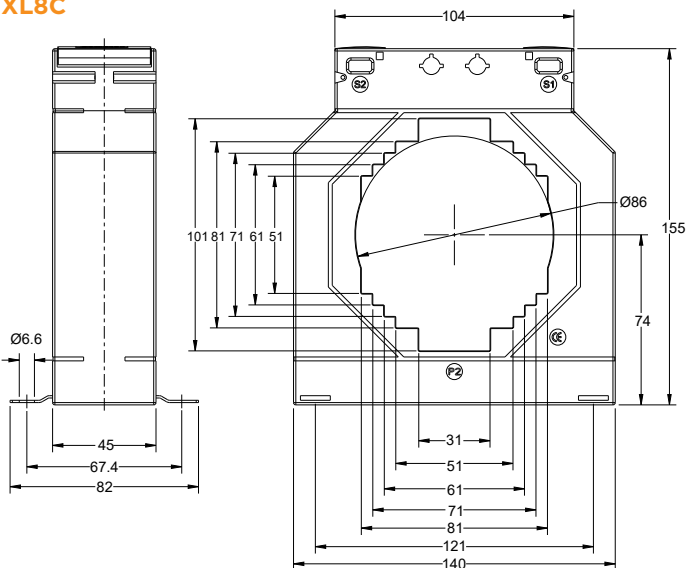
Aperture: 70 x 130 mm

Primary Rating: 1000 - 5000A

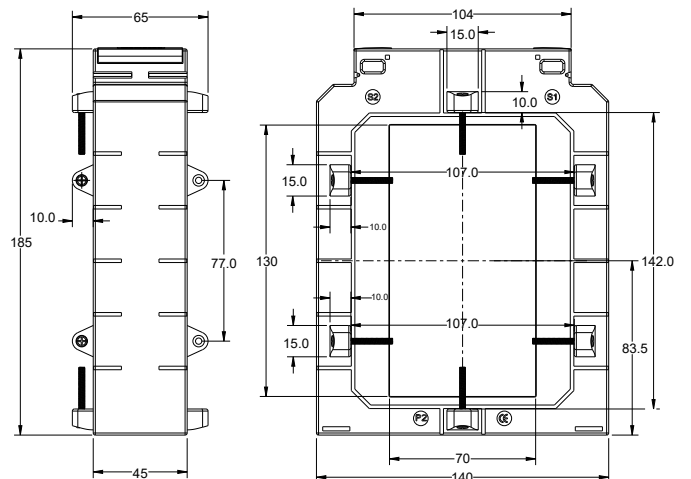
Secondary Rating: 5A as below, 1A Ratio's available change part number to end in 1A e.g. XL9A-1000/1A-0.2

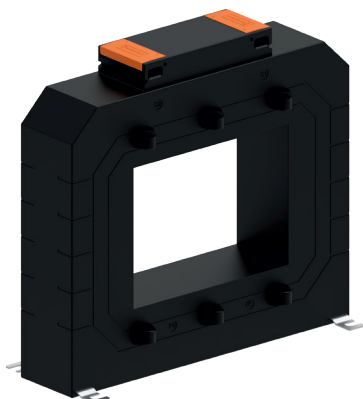
| Part number | Primary current | Accuracy | | Security Factor (ISF) | |
|-----------------|-----------------|----------|------|-----------------------|------|
| | | 0.2 | 0.2S | 0.2 | 0.2S |
| XL9A-1000/5A-** | 1000A | 5VA | | 10 | |
| XL9A-1200/5A-** | 1200A | 7.5VA | | 10 | |
| XL9A-1250/5A-** | 1250A | 7.5VA | | 10 | |
| XL9A-1500/5A-** | 1500A | 10VA | | 10 | |
| XL9A-1600/5A-** | 1600A | 10VA | | 10 | |
| XL9A-2000/5A-** | 2000A | 15VA | | 10 | |
| XL9A-2500/5A-** | 2500A | 15VA | | 10 | |
| XL9A-3000/5A-** | 3000A | 15VA | | 10 | |
| XL9A-3200/5A-** | 3200A | 15VA | | 10 | |
| XL9A-4000/5A-** | 4000A | 15VA | | 10 | |
| XL9A-5000/5A-** | 5000A | 15VA | | 15 | |

XL8C



XL9A





XL10A+ RANGE

Case size: 225 mm wide x 50 mm deep x 206 mm high

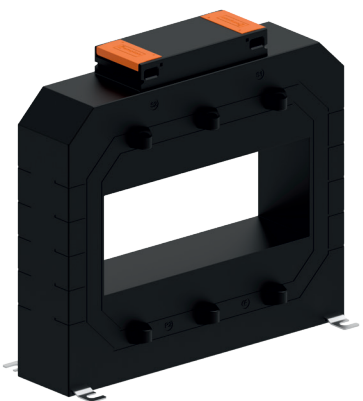
Aperture: 125 x 93 mm

Primary Rating: 600 - 6000A

Secondary Rating: 5A as below, 1A Ratio's available change part number to end in 1A e.g. XL10A-600/1A-0.2

| Part number | Primary current | Accuracy | | | Security Factor (ISF) | | |
|------------------|-----------------|----------|-------|-------|-----------------------|------|------|
| | | 0.2 | 0.2S | 0.5S | 0.2 | 0.2S | 0.5S |
| XL10A-600/5A-** | 600A | 5VA | - | - | 10 | - | - |
| XL10A-750/5A-** | 750A | 5VA | - | - | 10 | - | - |
| XL10A-800/5A-** | 800A | 5VA | - | - | 10 | - | - |
| XL10A-1000/5A-** | 1000A | 10VA | 5VA | 5VA | 10 | 10 | 10 |
| XL10A-1200/5A-** | 1200A | 10VA | 5VA | 5VA | 10 | 10 | 10 |
| XL10A-1250/5A-** | 1250A | 10VA | 5VA | 5VA | 10 | 10 | 10 |
| XL10A-1500/5A-** | 1500A | 10VA | 7.5VA | 7.5VA | 10 | 10 | 10 |
| XL10A-1600/5A-** | 1600A | 10VA | 7.5VA | 7.5VA | 10 | 10 | 10 |
| XL10A-2000/5A-** | 2000A | 10VA | 10VA | 10VA | 10 | 10 | 10 |
| XL10A-2500/5A-** | 2500A | 15VA | 10VA | 10VA | 10 | 10 | 10 |
| XL10A-3000/5A-** | 3000A | 15VA | 10VA | 10VA | 10 | 10 | 10 |
| XL10A-4000/5A-** | 4000A | 30VA | 15VA | 15VA | 10 | 10 | 10 |
| XL10A-5000/5A-** | 5000A | 30VA | 15VA | 15VA | 15 | 15 | 15 |
| XL10A-6000/5A-** | 6000A | 60VA | 15VA | 15VA | 15 | 15 | 15 |

Replace ** with required class accuracy



XL10B+ RANGE

Case size: 225 mm wide x 50 mm deep x 206 mm high

Aperture: 167 x 66 mm

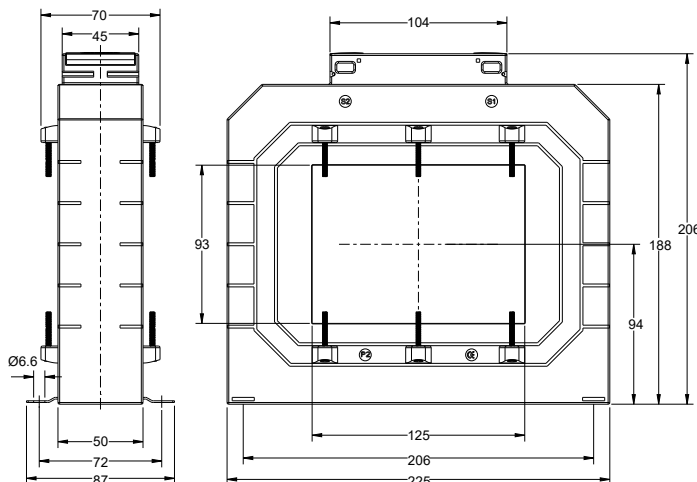
Primary Rating: 1000 - 7500A

Secondary Rating: 5A as below, 1A Ratio's available change part number to end in 1A e.g. XL10B-1000/1A-0.2

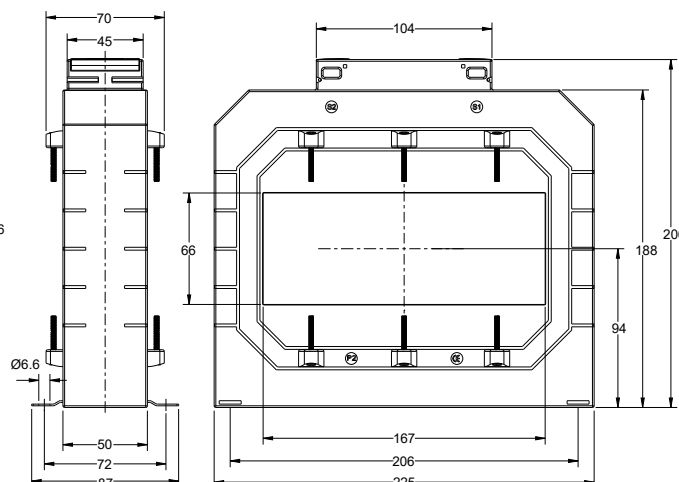
| Part number | Primary current | Accuracy | | | Security Factor (ISF) | | |
|------------------|-----------------|----------|-------|-------|-----------------------|------|------|
| | | 0.2 | 0.2S | 0.5S | 0.2 | 0.2S | 0.5S |
| XL10B-1000/5A-** | 1000A | 3.75VA | - | - | 10 | - | - |
| XL10B-1200/5A-** | 1200A | 5VA | - | - | 10 | - | - |
| XL10B-1250/5A-** | 1250A | 5VA | - | - | 10 | - | - |
| XL10B-1500/5A-** | 1500A | 10VA | 5VA | 5VA | 10 | 10 | 10 |
| XL10B-1600/5A-** | 1600A | 10VA | 5VA | 5VA | 10 | 10 | 10 |
| XL10B-2000/5A-** | 2000A | 10VA | 7.5VA | 7.5VA | 10 | 10 | 10 |
| XL10B-2500/5A-** | 2500A | 15VA | 10VA | 10VA | 10 | 10 | 10 |
| XL10B-3000/5A-** | 3000A | 15VA | 10VA | 10VA | 10 | 10 | 10 |
| XL10B-4000/5A-** | 4000A | 15VA | 10VA | 10VA | 10 | 15 | 15 |
| XL10B-5000/5A-** | 5000A | 20VA | 15VA | 15VA | 10 | 15 | 15 |
| XL10B-6000/5A-** | 6000A | 20VA | 15VA | 15VA | 10 | 15 | 15 |
| XL10B-7500/5A-** | 7500A | 20VA | 15VA | 15VA | 15 | 15 | 15 |

Replace ** with required class accuracy

XL10A



XL10B



Ebony Excel Plus range current transformers

| | XL0 model | | XL3 model | | | | |
|---|-----------|--------|-----------|-----------|-----------|-----------|-----------|
| | XL0A+ | XL0B+ | XL3A+ | XL3B+ | XL3C+ | XL3D+ | XL3E+ |
| Inside Dia Ø (mm) | - | - | 22.5 | - | 30.5 | 31 | 28 |
| Busbars (mm) | - | - | - | - | - | - | - |
| | - | - | - | 20 X 10 | 30 X 10 | 40 X 10 | - |
| | - | - | - | 15 X 15 | 25 X 25 | 30 X 20 | 30 X 10 |
| Height (mm) | 78 | 98 | 78 | 78 | 78 | 78 | 78 |
| Width (mm) | 62 | 74 | 62 | 62 | 62 | 62 | 62 |
| Depth (mm) | 40 | 45 | 40 | 40 | 40 | 40 | 51 |
| DIN Rail Mounting Adapter (available seperately) | - | - | ✓ | ✓ | ✓ | ✓ | ✓ |
| Panel or Wall Mounting | ✓ | ✓ | ✓ | ✓ | ✓ | ✓ | ✓ |
| Busbar Mounting | - | - | - | ✓ | ✓ | ✓ | ✓ |
| Terminal Cover | ✓ | ✓ | ✓ | ✓ | ✓ | ✓ | ✓ |
| Primary Current | 1A→30A | 1A→60A | 100A→600A | 100A→500A | 100A→800A | 200A→800A | 100A→800A |
| Max screw torque setting (Nm) | 0.75 | 0.75 | 0.75 | 0.75 | 0.75 | 0.75 | 0.75 |
| UL Approved | N | N | N | N | N | Y | N |

| | XL4 model | | | | XL5 model | | |
|---|-----------|-----------|------------|------------|------------|------------|------------|
| | XL4A+ | XL4B+ | XL4C+ | XL4D+ | XL5A+ | XL5B+ | XL5C+ |
| Inside Dia Ø (mm) | 20.4 | 26 | 35 | 41 | 36 | 46 | 51 |
| Busbars (mm) | - | - | - | 50 X 12.5 | - | - | - |
| | 15 x 15 | 30 X 15 | 40 X 10 | 40 X 20 | 40 X 10 | 50 X 10 | 60 X 10 |
| | 20 X 10 | 20 X 20 | 30 X 30 | 30 X 30 | 30 X 30 | 40 X 30 | 50 X 30 |
| Height (mm) | 98 | 98 | 98 | 98 | 110 | 110 | 110 |
| Width (mm) | 74 | 74 | 74 | 74 | 86 | 86 | 86 |
| Depth (mm) | 45 | 45 | 45 | 45 | 45 | 45 | 45 |
| DIN Rail Mounting Adapter (available seperately) | ✓ | ✓ | ✓ | ✓ | ✓ | ✓ | ✓ |
| Panel or Wall Mounting | ✓ | ✓ | ✓ | ✓ | ✓ | ✓ | ✓ |
| Busbar Mounting | ✓ | ✓ | ✓ | ✓ | ✓ | ✓ | ✓ |
| Terminal Cover | ✓ | ✓ | ✓ | ✓ | ✓ | ✓ | ✓ |
| Primary Current | 100A→500A | 100A→800A | 100A→1000A | 250A→1000A | 100A→1000A | 200A→1250A | 300A→1600A |
| Max screw torque setting (Nm) | 0.75 | 0.75 | 0.75 | 0.75 | 0.75 | 0.75 | 0.75 |
| UL Approved | N | N | N | Y | N | N | N |

| | XL6 model | | XL7 model | | |
|---|-------------|-------------|------------|------------|----------|
| | XL6A+ | XL6B+ | XL7A+ | XL7B+ | XL7C+ |
| Inside Dia Ø (mm) | - | - | 54 | 65 | - |
| Busbars (mm) | - | - | 60 X 10 | 80 X 10 | 101 X 56 |
| | 40 X 100 | 40 X 125 | 50 X 30 | 60 X 30 | - |
| | - | - | 40 X 40 | 50 X 50 | - |
| Height (mm) | 170 | 170 | 126 | 126 | 170 |
| Width (mm) | 99 | 99 | 104 | 104 | 130 |
| Depth (mm) | 45 | 45 | 45 | 45 | 60 |
| DIN Rail Mounting Adapter (available seperately) | - | - | ✓ | ✓ | - |
| Panel or Wall Mounting | ✓ | ✓ | ✓ | ✓ | ✓ |
| Busbar Mounting | ✓ | ✓ | ✓ | ✓ | ✓ |
| Terminal Cover | ✓ | ✓ | ✓ | ✓ | ✓ |
| Primary Current | 1000A→2500A | 1500A→3200A | 200A→1600A | 400A→2000A | 600→3000 |
| Max screw torque setting (Nm) | 0.75 | 0.75 | 0.75 | 0.75 | 0.75 |
| UL Approved | N | N | N | Y | N |

| | XL8 model | | | XL9 model | XL10 model | |
|---|------------|------------|------------|-------------|------------|-------------|
| | XL8A+ | XL8B+ | XL8C+ | XL9A+ | XL10A+ | XL10B+ |
| Inside Dia Ø (mm) | 73 | 86 | 86 | - | - | - |
| Busbars (mm) | - | 100 X 30 | 30 X 100 | - | - | - |
| | 80 X 30 | 80 X 50 | 50 X 80 | 70 X 130 | 125 X 90 | 167 X 66 |
| | 60 X 50 | 70 X 60 | 60 X 70 | - | - | - |
| Height (mm) | 155 | 155 | 155 | 185 | 206 | 206 |
| Width (mm) | 140 | 140 | 140 | 140 | 225 | 225 |
| Depth (mm) | 45 | 45 | 45 | 45 | 50 | 50 |
| DIN Rail Mounting Adapter (available seperately) | - | - | - | - | - | - |
| Panel or Wall Mounting | ✓ | ✓ | ✓ | ✓ | ✓ | ✓ |
| Busbar Mounting | ✓ | ✓ | ✓ | ✓ | ✓ | ✓ |
| Terminal Cover | ✓ | ✓ | ✓ | ✓ | ✓ | ✓ |
| Primary Current | 300A→2000A | 400A→4000A | 400A→3000A | 1000A→5000A | 600A→6000A | 1000A→7500A |
| Max screw torque setting (Nm) | 0.75 | 0.75 | 0.75 | 0.75 | 0.75 | 0.75 |
| UL Approved | N | N | N | N | N | N |

Ebony Excel Plus Accessories

Busbar Mounting Kits are supplied as standard with each Current Transformer.

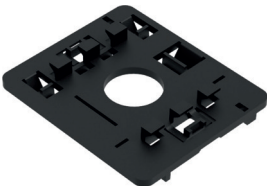
The kit contains a selection of the below items based on what is required for each individual Current Transformer.

| Busbar Mounting Kit Items | | | |
|---------------------------|---|------------------------------------|---|
| M4 Busbar mounting Screws |  | Swivels |  |
| Push in metal feet |  | Shoe for M4 Busbar mounting Screws |  |

Extra Busbar Mounting Kits are available to order, please see the below table

| Current Transformer Model Type | Mounting Kit Order Code | Items in each Mounting Kit |
|--|-------------------------|--|
| XL0A, XL0B, XL1A, XL1B | XL-KIT-001 | 2 x Push in metal feet |
| XL3A, XL3B, XL3C, XL3D, XL3E XL4A, XL4B, XL4C, XL4D XL5A, XL5B, XL5C | XL-KIT-003 | 2 x Busbar mounting screws M4 x 45mm 2 x Push in metal feet 2 x Swivels 2 x Shoe for self tapping M4 screws |
| XL6A, XL6B | XL-KIT-004 | 2 x Busbar mounting screws M4 x 35mm 2 x Push in metal feet 2 x Shoe for self tapping M4 screws |
| XL7A, XL7B, XL7C | XL-KIT-005 | 4 x Busbar mounting screws M4 x 45mm 4 x Push in metal feet 2 x Swivels 4 x Shoe for self tapping M4 screws |
| XL8A, XL8B, XL8C | XL-KIT-006 | 4 x Busbar mounting screws M4 x 75mm 2 x Push in metal feet 4 x Swivels 4 x Shoe for self tapping M4 screws |
| XL9A | XL-KIT-007 | 1 x Busbar mounting screw M4 x 75mm 5 x Busbar mounting screws M4 x 45mm 2 x Push in metal feet 6 x Shoe for self tapping M4 screws |
| XL10A, XL10B | XL-KIT-008 | 6 x Busbar mounting screws M4 x 75mm 2 x Push in metal feet 6 x Shoe for self tapping M4 screws |

DIN Rail Mounting Adapters (available seperately)

| Current Transformer Model Type | Order Code | |
|--|------------|--|
| XL1A, XL1B | XL-DRBRK-1 |  |
| XL3A, XL3B, XL3C, XL3D, XL3E XL4A, XL4B, XL4C XL4D, XL5A, XL5B, XL5C XL7A, XL7B, XL7C | XL-DRBRK-3 | |

Accuracy Class:- A designation assigned to a current transformer the errors of which remain within specified limit under prescribed conditions of use.

Rated Burden:- The impedance of the secondary circuit on which the accuracy requirements are based. It is usually expressed as apparent power (in VA), at the rated secondary current and at a specified power factor.

Rated Output:- The value of the apparent power (in volt-amperes at a specified power factor) which the current transformer is intended to supply to the secondary circuit at the rated secondary current and with rated burden connected to it.

Highest System Voltage:- The highest rms line to line voltage which can be sustained under normal operating conditions at any time and at any point on the system. It excludes temporary voltage variations due to fault condition and the sudden disconnection of large loads.

Rated Insulation Level:- That combination of voltage values (power frequency and lightning impulse, or where applicable, lightning and switching impulse) which characterizes the insulation of a transformer with regard to its capability to withstand by dielectric stresses. For low voltage transformer the test voltage 4kV, at power-frequency, applied during 1 minute.

Rated Short Time Thermal Current (I_{th}):- The RMS value of the primary current which the current transformer will withstand for a rated time, with their secondary winding short circuits without suffering harmful effects.

Rated Dynamic Current (I_{dyn}):- The peak value of the primary current which a current transformer will withstand, without being damaged electrically for mechanically by the resulting electromagnetic forces, the secondary winding being short-circuited.

Rated Continuous Thermal Current:- The value of current which can be permitted to flow continuously in the primary winding, the secondary windings being connected to the rated burdens, without the temperature rise exceeding the specified values.

Instrument Security Factor (ISF):- Instrument Security Factor is the ratio of Instrument Limit Primary Current to the rated Primary Current. Instrument Limit Current of a metering Current Transformer is the maximum value of primary current beyond which Current Transformer core becomes saturated. Instrument Security Factor of CT is the significant factor for choosing the metering Instruments which to be connected to the secondary of the CT. Security or Safety of the measuring unit is better, if ISF is low.

TE Connectivity Ltd. is a \$14 billion global technology and manufacturing leader creating a safer, sustainable, productive, and connected future. For more than 75 years, our connectivity and sensor solutions, proven in the harshest environments, have enabled advancements in transportation, industrial applications, medical technology, energy, data communications, and the home. With 80,000 employees, including more than 8,000 engineers, working alongside customers in approximately 140 countries, TE ensures that EVERY CONNECTION COUNTS. Learn more at www.te.com and on [LinkedIn](#), [Facebook](#), [WeChat](#) and [Twitter](#).

Generation

- Conventional Power
- Nuclear Power
- Wind/Solar
- Hydro-electric

Transmission & Distribution

- Substation
- Underground
- Overhead
- Street Lighting

Industry

- Mining
- Petrochemical
- Railway
- Shipbuilding

WHEREVER ELECTRICITY FLOWS, YOU'LL FIND TE ENERGY



te.com/energy

**FOR MORE INFORMATION:
TE Technical Support Centres**

- USA: +1 800 327 6996
- UK: +44 870 870 7500
- Australia: +61 1300 656 090
- Singapore: +65 6590 5151
- Hong Kong: +852 2790 9609

crompton-instruments.com

© 2018 TE Connectivity Ltd. family of companies. All Rights Reserved. EPP-3773-3/21

TE Connectivity, the TE connectivity (logo) and Crompton Instruments are trademarks of the TE Connectivity Ltd. family of companies. Other logos, product and Company names mentioned herein may be trademarks of their respective owners. While TE has made every reasonable effort to ensure the accuracy of the information in this brochure, TE does not guarantee that it is error-free, nor does TE make any other representation, warranty or guarantee that the information is accurate, correct, reliable or current. TE reserves the right to make any adjustments to the information contained herein at any time without notice. TE expressly disclaims all implied warranties regarding the information contained herein, including, but not limited to, any implied warranties of merchantability or fitness for a particular purpose. The dimensions in this brochure are for reference purposes only and are subject to change without notice. Specifications are subject to change without notice. Consult TE for the latest dimensions and design specifications.

