

TE'S CROMPTON INSTRUMENTS INSTRUMENT SELECTOR SWITCHES

Application

- Ammeter Switches
- Voltmeter Switches

Benefits

- Cost effective
- Easy to install
- High protection class

Features

- Compact size
- Reliable design
- Multi pole

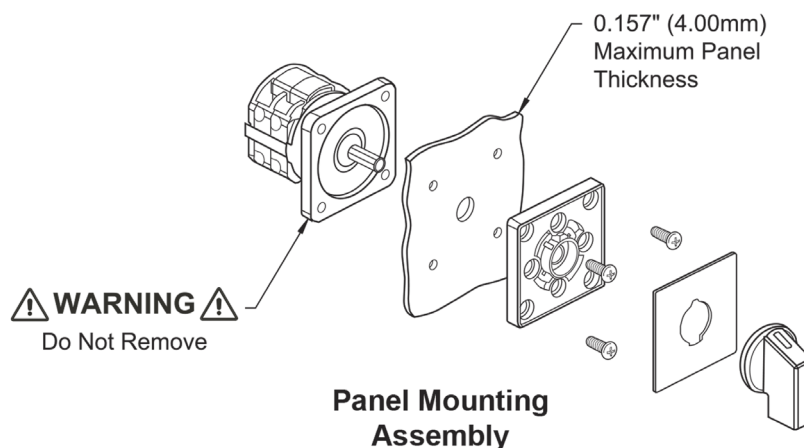
Approvals

- IEC EN 60947-3
- VDE 0660 part 107

TE's Crompton Instruments Panel Mounted Selector Switches are available as a 4 and 7 position Voltmeter switch, or as a 4 and 5 position Ammeter switch.

A reliable switch that is easy to use, can be used along side the TE's Crompton Instruments Standard Analogue and Voltmeters range.

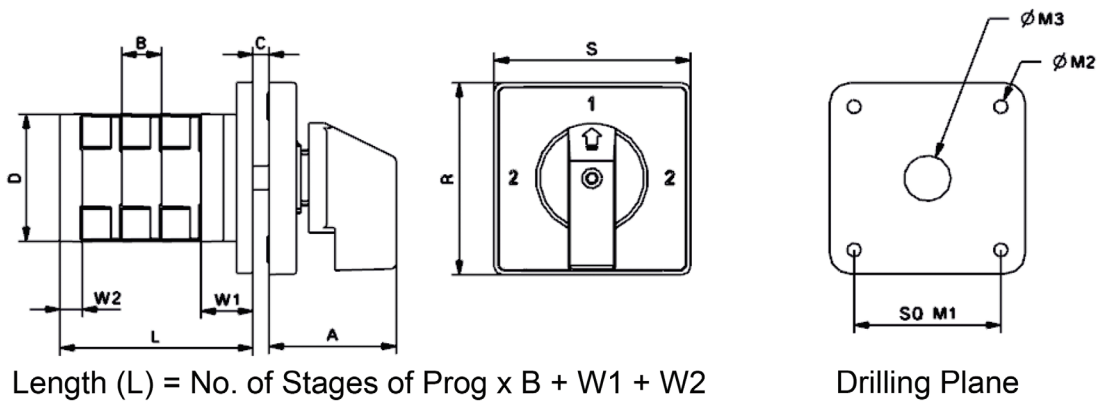
Each switch is supplied with numbered annotation (L1, L2, L3) as standard, or coloured annotation is available (RYB) on request.



Customers can count on consistent, high quality products, driven by TE's proven innovation and backed by our extraordinary customer support.

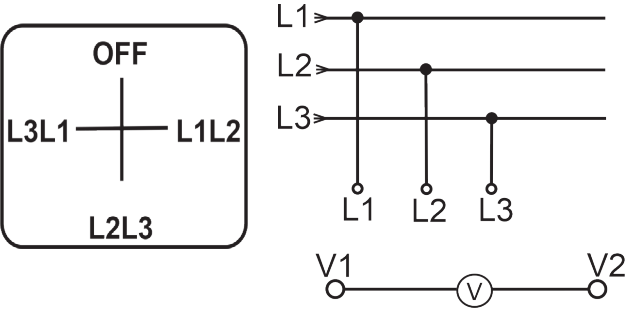
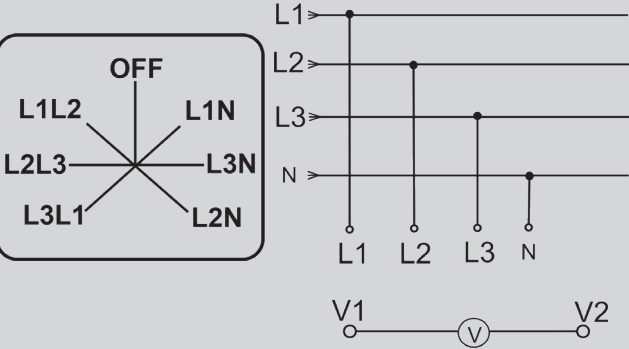
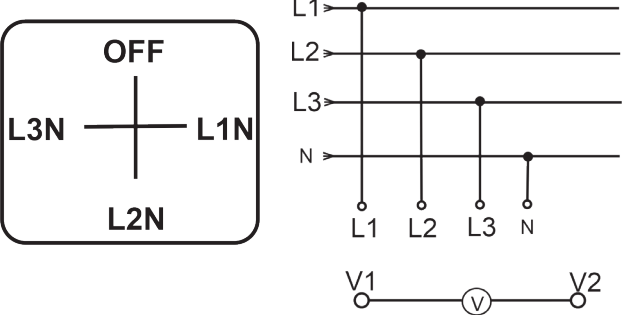


ROTARY CAM SWITCHES DIMENSIONAL DETAILS



Type	A	B	C (max)	D	M1	M2	M3	R	S	W1	W2
6A	29 (1.14")	9.7 (0.382")	4 (0.157")	32 (1.26")	36 (1.417")	4 (0.157")	8 (0.315")	48 (1.89")	48 (1.89")	13 (0.512")	7 (0.276")
10A	29 (1.14")	9.5 (0.374")	4 (0.157")	43 (1.693")	36 (1.417")	4 (0.157")	7 (0.276")	60 (2.362")	48 (1.89")	19 (0.748")	5 (0.197")
16A	29 (1.14")	9.5 (0.374")	4 (0.157")	43 (1.693")	36 (1.417")	4 (0.157")	7 (0.276")	60 (2.362")	48 (1.89")	19 (0.748")	5 (0.197")

DESCRIPTION	CURRENT RATING																																																										
	6A	10A	16A																																																								
Ammeter Selector Switch 5 Position Line Current with OFF with Neutral	SWA-5P-6A	SWA-5P-10A	SWA-5P-16A																																																								
	<table border="1"> <thead> <tr> <th>OUTPUT SIDE</th> <th>A1</th> <th>A2</th> <th></th> <th></th> <th></th> <th></th> </tr> </thead> <tbody> <tr> <td></td> <td></td> <td></td> <td></td> <td></td> <td></td> <td></td> </tr> <tr> <th>INPUT SIDE</th> <th>L1</th> <th>L2</th> <th>L3</th> <th>N</th> <th></th> <th></th> </tr> <tr> <td>OFF</td> <td></td> <td></td> <td></td> <td></td> <td></td> <td></td> </tr> <tr> <td>L1</td> <td>X</td> <td></td> <td>X</td> <td>X</td> <td></td> <td>X</td> </tr> <tr> <td>L2</td> <td></td> <td>X</td> <td>X</td> <td>X</td> <td></td> <td>X</td> </tr> <tr> <td>L3</td> <td></td> <td>X</td> <td>X</td> <td>X</td> <td></td> <td>X</td> </tr> <tr> <td>N</td> <td>X</td> <td>X</td> <td>X</td> <td>X</td> <td>X</td> <td>X</td> </tr> </tbody> </table>			OUTPUT SIDE	A1	A2												INPUT SIDE	L1	L2	L3	N			OFF							L1	X		X	X		X	L2		X	X	X		X	L3		X	X	X		X	N	X	X	X	X	X	X
OUTPUT SIDE	A1	A2																																																									
INPUT SIDE	L1	L2	L3	N																																																							
OFF																																																											
L1	X		X	X		X																																																					
L2		X	X	X		X																																																					
L3		X	X	X		X																																																					
N	X	X	X	X	X	X																																																					
Ammeter Selector Switch 4 Position Line Current with OFF	SWA-4P-6A	SWA-4P-10A	SWA-4P-16A																																																								
	<table border="1"> <thead> <tr> <th>OUTPUT SIDE</th> <th>A2</th> <th>A1</th> <th></th> <th></th> <th></th> <th></th> </tr> </thead> <tbody> <tr> <td></td> <td></td> <td></td> <td></td> <td></td> <td></td> <td></td> </tr> <tr> <th>INPUT SIDE</th> <th>L1</th> <th>L2</th> <th>L3</th> <th></th> <th></th> <th></th> </tr> <tr> <td>OFF</td> <td>X</td> <td>X</td> <td>X</td> <td></td> <td></td> <td></td> </tr> <tr> <td>L1</td> <td></td> <td>X</td> <td>X</td> <td>X</td> <td></td> <td></td> </tr> <tr> <td>L2</td> <td>X</td> <td></td> <td></td> <td>X</td> <td></td> <td></td> </tr> <tr> <td>L3</td> <td>X</td> <td>X</td> <td></td> <td></td> <td></td> <td>X</td> </tr> </tbody> </table>			OUTPUT SIDE	A2	A1												INPUT SIDE	L1	L2	L3				OFF	X	X	X				L1		X	X	X			L2	X			X			L3	X	X				X							
OUTPUT SIDE	A2	A1																																																									
INPUT SIDE	L1	L2	L3																																																								
OFF	X	X	X																																																								
L1		X	X	X																																																							
L2	X			X																																																							
L3	X	X				X																																																					

DESCRIPTION	CURRENT RATING		
	6A	10A	16A
<p>Voltmeter Selector Switch 4 Position Voltage between Phases with OFF</p> 	<p>SWV-4P-6A-LL</p>	<p>SWV-4P-10A-LL</p>	<p>SWV-4P-16A-LL</p>
<p>Voltmeter Selector Switch 7 Position Voltage between Phases & Individual Phase to Neutral with OFF</p> 	<p>SWV-7P-6A</p>	<p>SWV-7P-10A</p>	<p>SWV-7P-16A</p>
<p>Voltmeter Selector Switch 4 Position Phase to Neutral Voltages with OFF</p> 	<p>SWV-4P-6A-LN</p>	<p>SWV-4P-10A-LN</p>	<p>SWV-4P-16A-LN</p>

Parameter		Unit	6A	10A	16A
Rated operational voltage (Ue)		V	440	440	690
Rated Insulation voltage (Ui)		V	440	440	690
Rated operational current (Ie)		A	6	10	16
Conventional free air thermal current (Ith)		A	6	10	16
Rated short time withstand current (Icw)	(1s- Current)	A	72	120	192*
Rated Impulse withstand voltage (Uimp)		KV	4	4	4
Rated Fuse short circuit current		KA	3	3	5
Fuse size (Type gG /gM)		A	6	10	16
AC23A 3phase	220-240V	KW	1.1	1.8	3
	380-440V	KW	1.8	3	5.5
	500V	KW	-	-	5.5
	660-690V	KW	-	-	5.5
AC23A 1phase	110V	KW	0.25	0.37	0.55
	220-240V	KW	0.5	0.75	1.5
	380-440V	KW	0.75	1.1	2.2
AC3 3phase	220-240V	KW	1.1	1.5	3
	380-440V	KW	1.8	2.2	5.5
	500V	KW	-	-	5.5
	600-690V	KW	-	-	5.5
AC3 1phase	110V	KW	0.25	0.3	0.55
	220-240V	KW	0.5	0.55	1.5
	380-440V	KW	0.75	0.75	2.5
AC21A/AC1		A	6	10	16
AC15	220-240V	A	2	2.5	5
	380-440V	A	1	1.5	4
Terminal cross -section					
Single / Multiple(Prepared with lug)	Min	mm2	1	0.7	1.5
	Max	mm2	1.5	1.5	4
Fine strand with sleeve(Prepared with lug)	Min	mm2	1	0.7	1
	Max	mm2	1.5	1.5	2.5
Terminal screw		Metric	M3	M3	M3
Terminal tightening torque		Nm	0.8	0.8	0.8

* Rated short time withstand current (0.5s- current)

Operating Conditions	
Frequency	50/60Hz
Operating Temperature	-25 C to 60 C
Over Voltage Category	III
Storage	-40 C to 80 C
Max Altitude	2000m
IP Rating	IP50

About TE Connectivity

TE Connectivity Ltd. (NYSE: TEL) TE Connectivity is a \$12 billion global technology leader. Our commitment to innovation enables advancements in transportation, industrial applications, medical technology, energy, data communications, and the home. TE's unmatched breadth of connectivity and sensor solutions, proven in the harshest of environments, helps build a safer, greener, smarter and more connected world. With 75,000 people – including more than 7,000 engineers – working alongside customers in nearly 150 countries, we help ensure that EVERY CONNECTION COUNTS.

WHEREVER ELECTRICITY FLOWS, YOU'LL FIND TE ENERGY



crompton-instruments.com

For email or phone, go to:

crompton-instruments.com

FOR MORE INFORMATION: TE Technical Support Centres

UK +44 1376 509 401
USA: +1 800 327 6996
Australia +61 1300 656 090
Singapore +65 6590 5151
Hong Kong: +852 2738 8193



crompton-instruments.com

© 2018 TE Connectivity Ltd. All Rights Reserved. EPP-

TE, TE Connectivity, the TE connectivity (logo) are trademarks of the TE Connectivity Ltd. family of companies. Crompton is a trademark of Crompton Parkinson and is used under a licence. Other logos, product and company names mentioned herein may be trademarks of their respective owners. While TE has made every reasonable effort to ensure the accuracy of the information in this brochure, TE does not guarantee that it is error-free, nor does TE make any other representation, warranty or guarantee that the information is accurate, correct, reliable or current. TE reserves the right to make any adjustments to the information contained herein at any time without notice. TE expressly disclaims all implied warranties regarding the information contained herein, including, but not limited to, any implied warranties of merchantability or fitness for a particular purpose. The dimensions in this brochure are for reference purposes only and are subject to change without notice. Specifications are subject to change without notice. Consult TE for the latest dimensions and design specifications.