

PE Range  
Moulded Case Current Transformers





## PE Range Moulded Case Current Transformers

An extensive range of high quality current transformers offering comprehensive measuring class accuracies. The PE range provides accurate measurement of high primary currents, converting to a 5 Amp secondary current, proportional to the primary current. To suit the requirements of most applications, the range offers a wide selection of system current ratings, busbar sizes, case widths and apertures.

### Features

- High Quality
- Comprehensive Measuring Class Accuracies
- Wide Range of System Current Ratings, and Case Widths
- Aperture Sizes to Suit Industry Standard Cable and Busbar Dimensions
- Wire Sealable Terminal Covers
- Feet and Busbar Mounting Options

### Benefits

- Reduction of High Currents for Ease of Metering
- Accuracy up to Class 0.5
- Isolated Output for Safety
- Long Product Life

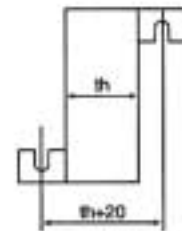
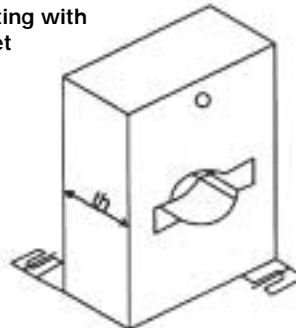
### Applications

- Switchgear
- Distribution Systems
- Generator Sets
- Control Panels
- Overload Protection
- Control Devices

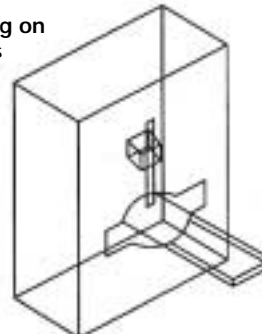
### General Specification

System Voltage:	720V maximum
Test Voltage:	3kV for 1 minute
System Frequency:	50Hz or 60Hz.
Primary Ratings:	From 5A to 4000A
Secondary Outputs:	5A is standard
Short Circuit Thermal:	3kA for 1 second
Overload Withstand:	1.2 times rated current continuously
Rated Dynamic Current	7.5kA for 1 second
Saturation Coefficient:	<6
Insulation Class BS2757 IEC85:	Class E
Secondary Terminals:	M5 screw clamps
Operating Temperature:	-20°C to +70°C
Humidity:	Up to 95% RH (non condensing)
Enclosure:	Flame retardant glass filled ABS
Compliant With:	VDE404 and IEC185
Mounting Hardware:	Feet and busbar screws

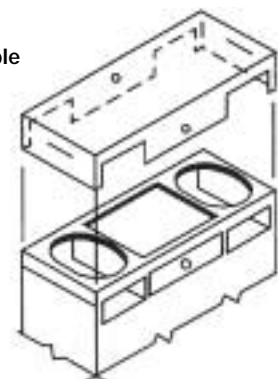
### Mounting with Bracket



### Mounting on Bus Bars



### Sealable Cap



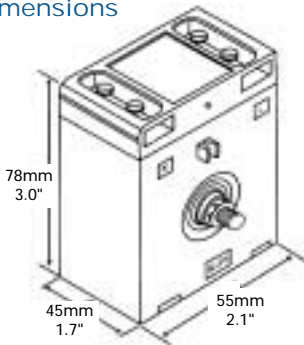


## PEWPL Range

Case Size: 55mm wide x 45mm deep x 78mm high  
 2.1" wide x 1.7" deep x 3.0" high  
 Fixing: M8 stud primary bar  
 Weight: 0.45Kg

Model Type	Ratio Range	VA at Class 3	VA at Class 1	VA at Class 0.5
PEWPL	5/5	-	5	-
PEWPL	10/5	-	5	-
PEWPL	15/5	-	5	-
PEWPL	20/5	-	5	-
PEWPL	25/5	-	5	-
PEWPL	30/5	-	5	-
PEWPL	40/5	-	5	-
PEWPL	60/5	-	5	-

## Dimensions



## Ordering Codes

<b>PEWPL-</b>	Add suffix to depict required ratio range. For example: PEWPL-5/5
---------------	--

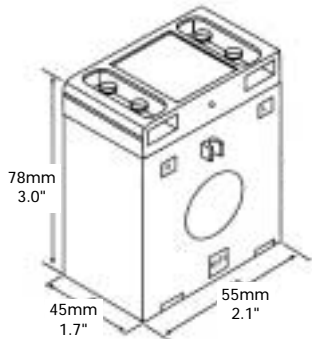


## PE 201 Range

Case Size: 55mm wide x 45mm deep x 78mm high  
 2.1" wide x 1.7" deep x 3.0" high  
 Aperture: 20mm diameter  
 0.8" diameter  
 Weight: 0.4Kg

Model Type	Ratio Range	VA at Class 3	VA at Class 1	VA at Class 0.5
PE201	30/5	1.5	-	-
PE201	40/5	1.5	-	-
PE201	50/5	-	1.5	-
PE201	60/5	-	1.5	-
PE201	80/5	-	4	-
PE201	100/5	-	4	-
PE201	200/5	-	8	-
PE201	250/5	-	10	-

## Dimensions



## Ordering Codes

<b>PE201-</b>	Add suffix to depict required ratio range. For example: PE201-50/5
---------------	---

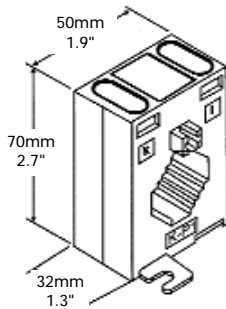


## PE 301 Range

Case Size: 50mm wide x 32mm deep x 70mm high  
 1.9" wide x 1.3" deep x 2.7" high  
 Aperture: 30 x 10mm, 25 x 15mm and 20 x 20mm horizontal & vertical  
 1.2" x 0.4", 1" x 0.6" and 0.8" x 0.8" horizontal & vertical  
 Weight: 0.22Kg

Model Type	Ratio Range	VA at Class 3	VA at Class 1	VA at Class 0.5
PE301	75/5	1	-	-
PE301	80/5	1	-	-
PE301	100/5	-	1	-
PE301	125/5	-	1	-
PE301	150/5	2.5	1	-
PE301	200/5	3	2.5	-
PE301	250/5	3	2.5	-
PE301	300/5	5	2.5	-
PE301	400/5	7.5	5	-
PE301	500/5	7.5	5	-
PE301	600/5	7.5	5	-

### Dimensions



### Ordering Codes

<b>PE301-</b>	Add suffix to depict required ratio range. For example: PE301-75/5
---------------	---

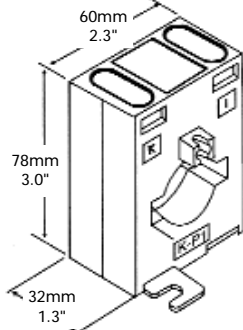


## PE 401 Range

Case Size: 60mm wide x 32mm deep x 78mm high  
 2.3" wide x 1.3" deep x 3.0" high  
 Aperture: 40 x 12mm and 28mm diameter  
 1.6" x 0.5" and 1.1" diameter  
 Weight: 0.3Kg

Model Type	Ratio Range	VA at Class 3	VA at Class 1	VA at Class 0.5
PE401	150/5	-	2.5	-
PE401	200/5	-	2.5	-
PE401	250/5	5	2.5	-
PE401	300/5	5	2.5	-
PE401	400/5	7.5	5	-
PE401	500/5	-	7.5	5
PE401	600/5	-	7.5	5
PE401	750/5	-	7.5	5
PE401	800/5	-	7.5	5

### Dimensions



### Ordering Codes

<b>PE401-</b>	Add suffix to depict required ratio range. For example: PE401-150/5
---------------	--

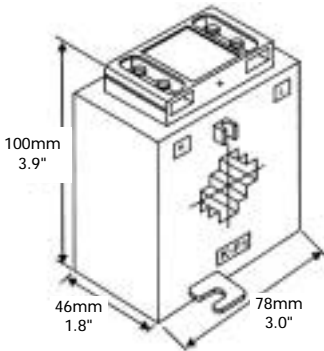


## PE 501 Range

Case Size: 78mm wide x 46mm deep x 100mm high  
 3.0" wide x 1.8" deep x 3.9" high  
 Aperture: 30 x 10mm, 20 x 20mm horizontal & vertical  
 1.2" x 0.4", 0.8" x 0.8" horizontal & vertical  
 Weight: 0.65Kg

Model Type	Ratio Range	VA at Class 3	VA at Class 1	VA at Class 0.5
PE501	100/5	7.5	5	2.5
PE501	150/5	15	10	7.5
PE501	200/5	25	15	10
PE501	250/5	25	15	10
PE501	300/5	25	15	10
PE501	400/5	-	-	30
PE501	500/5	-	-	30
PE501	600/5	-	-	30

## Dimensions



## Ordering Codes

<b>PE501-</b>	Add suffix to depict required ratio range. For example: PE501-100/5
---------------	--

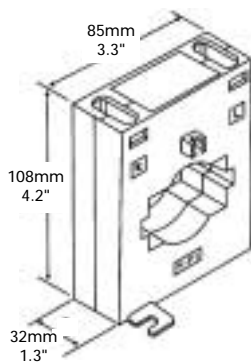


## PE 601 Range

Case Size: 85mm wide x 32mm deep x 108mm high  
 3.3" wide x 1.3" deep x 4.2" high  
 Aperture: 60 x 10mm, 50 x 30mm and 45mm diameter  
 2.3" x 0.4", 1.9" x 1.2" and 1.7" diameter  
 Weight: 0.45Kg

Model Type	Ratio Range	VA at Class 3	VA at Class 1	VA at Class 0.5
PE601	400/5	-	10	-
PE601	500/5	-	10	-
PE601	600/5	-	15	10
PE601	750/5	-	15	10
PE601	800/5	-	15	10
PE601	1000/5	-	15	10
PE601	1200/5	-	-	15
PE601	1250/5	-	-	15
PE601	1500/5	-	-	15
PE601	1600/5	-	-	15

## Dimensions



## Ordering Codes

<b>PE601-</b>	Add suffix to depict required ratio range. For example: PE601-400/5
---------------	--

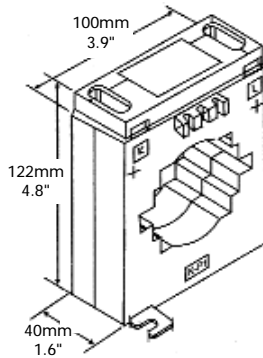


## PE 801 Range

Case Size: 100mm wide x 40mm deep x 122mm high  
 3.9" wide x 1.6" deep x 4.8" high  
 Aperture: 80 x 10mm, 60 x 30mm, 50 x 50mm and 60mm diameter  
 3.1" x 0.4", 2.3" x 1.2", 1.9" x 1.9" and 2.3" diameter  
 Weight: 0.5Kg

Model Type	Ratio Range	VA at Class 3	VA at Class 1	VA at Class 0.5
PE801	400/5	-	5	5
PE801	500/5	-	7.5	5
PE801	600/5	-	7.5	5
PE801	750/5	-	15	10
PE801	800/5	-	15	10
PE801	1000/5	-	15	10
PE801	1200/5	-	-	10
PE801	1250/5	-	15	10
PE801	1500/5	-	15	10
PE801	1600/5	-	15	10
PE801	2000/5	-	15	10

## Dimensions



## Ordering Codes

<b>PE801-</b>	Add suffix to depict required ratio range. For example: PE801-400/5
---------------	--

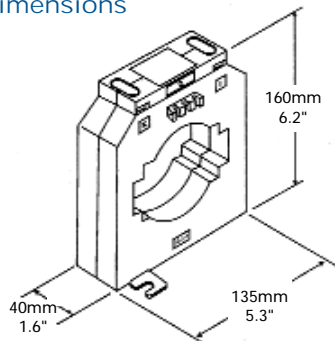


## PE 1001 Range

Case Size: 135mm wide x 40mm deep x 160mm high  
 5.3" wide x 1.6" deep x 6.2" high  
 Aperture: 100 x 30mm, 80 x 50mm and 85mm diameter  
 3.9" x 1.2", 3.1" x 1.9" and 3.3" diameter  
 Weight: 0.7Kg

Model Type	Ratio Range	VA at Class 3	VA at Class 1	VA at Class 0.5
PE1001	400/5	-	-	5
PE1001	500/5	-	10	5
PE1001	600/5	15	10	5
PE1001	750/5	-	15	10
PE1001	800/5	-	15	10
PE1001	1000/5	-	15	15
PE1001	1200/5	-	15	15
PE1001	1250/5	-	15	15
PE1001	1500/5	-	30	15
PE1001	1600/5	-	30	15
PE1001	2000/5	-	30	15
PE1001	3000/5	-	-	30
PE1001	4000/5	-	-	30

## Dimensions



## Ordering Codes

<b>PE1001-</b>	Add suffix to depict required ratio range. For example: PE1001-400/5
----------------	---

All of the above information, including drawings, illustrations and graphic designs, reflects our present understanding and is to the best of our knowledge and belief correct and reliable. Users, however, should independently evaluate the suitability of each product for the desired application. Under no circumstances does this constitute an assurance of any particular quality or performance. Such an assurance is only provided in the context of our product specifications or explicit contractual arrangements. Our liability for these products is set forth in our standard terms and conditions of sale. ALR, AMP, AXICOM, B&H, BOWTHORPE EMP, CROMPTON INSTRUMENTS, DORMAN SMITH, DULMISON, GURO, HELLSTERN, LA PRAIRIE, MORLYNN, RAYCHEM, and SIMEL are trademarks.



Energy Division – a pioneer in the development of economical solutions for the electrical power industry. Our product range includes: Cable accessories, connectors & fittings, electrical equipment, instruments, lighting, insulators & insulation enhancement and surge arresters.

For more information and your country contact person, please visit us at:  
<http://energy.tycoelectronics.com>

Tyco Electronics UK Limited, Crompton Instruments  
Freebournes Road, Witham, Essex, CM8 3AH, UK  
Phone: ++44 1376 509 509 Fax: ++44 1376 509 511